



STATUS®

ENG

ROTARY HAMMER

Original instructions

DE

BOHRHAMMER

Original betriebsanleitung

IT

MARTELLLO PERFORATORE

Istruzioni originali

BG

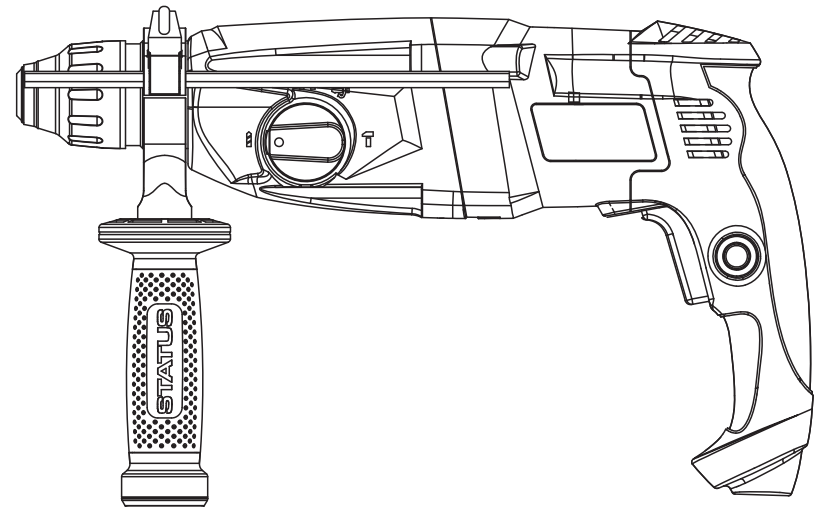
ПЕРФОРАТОР

Оригинална инструкция за използване

RU

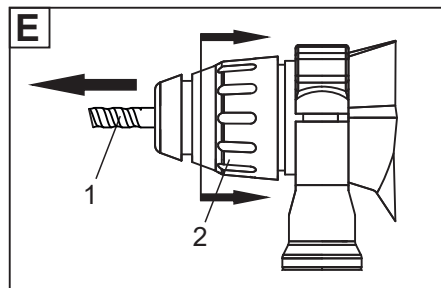
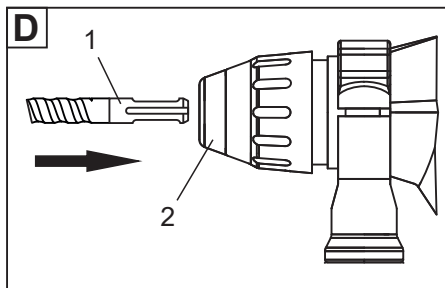
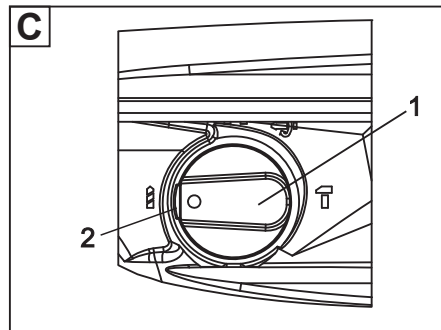
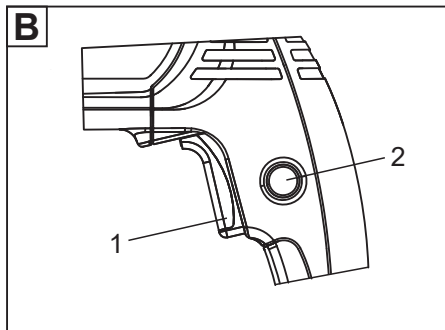
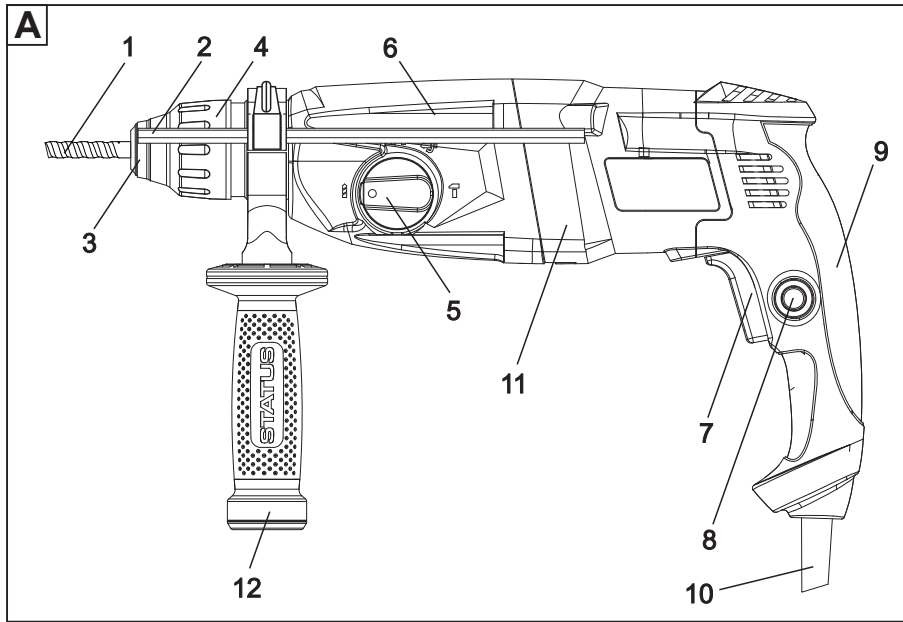
ПЕРФОРАТОР

Оригинальная инструкция по эксплуатации



MPR31





POWER TOOL SAFETY RULES



WARNING !

Read and understand all instructions. Failure to follow all instructions listed below, may result in electric shock, fire and/or serious personal injury. **SAVE THESE INSTRUCTIONS**

WORK AREA

- **Keep your work area clean and well lit.** Cluttered benches and dark areas invite accidents.
- **Do not operate power tools in explosive atmospheres, such as in the presence of flammable liquids, gases, or dust.** Power tools create sparks which may ignite the dust or fumes.
- **Keep by-standers, children, and visitors away while operating a power tool.**

ELECTRICAL SAFETY

- **Hold the power tool by insulated gripping surfaces only, when performing an operation where the cutting accessory may contact hidden wiring or its own cord.** Cutting accessory contacting a "live" wire may make exposed metal parts of the power tool "live" and could give the operator an electric shock.
- **Before plugging in the tool, be certain the outlet voltage supplied is within the voltage marked on the nameplate.** Do not use "AC only" rated tools with a DC power supply.
- **Avoid body contact with grounded surfaces such as pipes, radiators, ranges and refrigerators.** There is an increased risk of electric shock if your body is grounded. If operating the power tool in damp locations is unavoidable, a Ground Fault Circuit Interrupter must be used to supply the power to your tool. Electrician's rubber gloves and footwear will further enhance your personal safety.
- **Don't expose power tools to rain or wet conditions.** Water entering a power tool will increase the risk of electric shock.
- **Do not abuse the cord.** Never use the cord to carry the tools or pull the plug from an outlet. Keep cord away from heat, oil, sharp edges or moving parts. Replace damaged cords immediately. Damaged cords increase the risk of electric shock.
- **When operating a power tool outside, use an outdoor extension cord marked "W-A" or "W".** These cords are rated for outdoor use and reduce the risk of electric shock.

PERSONAL SAFETY

- **Stay alert, watch what you are doing and use common sense when operating a power tool. Do not use tool while tired or under the influence of drugs, alcohol, or medication.** A moment of inattention while operating power tools may result in serious personal injury.
- **Dress properly. Do not wear loose clothing or jewelry. Contain long hair. Keep your hair, clothing, and gloves away from moving parts.** Loose clothes, jewelry, or long hair can be caught in moving parts. Keep handles dry, clean and free from oil and grease.

1. POWER TOOL SAFETY RULES

- **Avoid accidental starting.** Be sure switch is "OFF" before plugging in. Carrying tools with your finger on the switch or plugging in tools that have the switch "ON" invites accidents.
- **Remove adjusting keys or wrenches before turning the tool "ON".** A wrench or a key that is left attached to a rotating part of the tool may result in personal injury.
- **Do not overreach. Keep proper footing and balance at all times.** Proper footing and balance enables better control of the tool in unexpected situations.
- **Use safety equipment. Always wear eye protection.** Dust mask, non-skid safety shoes, hard hat, or hearing protection must be used for appropriate conditions.

TOOL USE AND CARE

- **Use clamps or other practical way to secure and support the workpiece to a stable platform.** Holding the work by hand or against your body is unstable and may lead to loss of control.
- **Do not force tool. Use the correct tool for your application.** The correct tool will do the job better and safer at the rate for which it is designed.
- **Do not use tool if switch does not turn it "ON" or "OFF".** Any tool that cannot be controlled with the switch is dangerous and must be repaired.
- **Disconnect the plug from the power source before making any adjustments, changing accessories, or storing the tool.** Such preventive safety measures reduce the risk of starting the tool accidentally.
- **Store idle tools out of reach of children and other untrained persons.** Tools are dangerous in the hands of untrained users.
- **Maintain tools with care. Keep cutting tools sharp and clean.** Properly maintained tools, with sharp cutting edges are less likely to bind and are easier to control. Any alteration or modification is a misuse and may result in a dangerous condition.
- **Check for misalignment or binding of moving parts, breakage of parts, and any other condition that may affect the operation. If damaged, have the tool serviced before using.** Many accidents are caused by poorly maintained tools. Develop a periodic maintenance schedule for your tool.
- **Use only accessories that are recommended by the manufacturer for your model.** Accessories that may be suitable for one tool, may become hazardous when used on another tool.

SERVICE

- **Tool service must be performed only by qualified repair personnel.** Service or maintenance performed by unqualified personnel could result in a risk of injury.
- **When servicing a tool, use only identical replacement parts.** Follow instructions in the Maintenance section of this manual. Use of unauthorized parts or failure to follow Maintenance Instructions may create a risk of electric shock or injury. Certain cleaning agents such as gasoline, carbon tetrachloride, ammonia, etc. may damage plastic parts.

2. SAFETY RULES FOR ROTARY HAMMER

SAFETY RULES FOR ROTARY HAMMER



WARNING !

DO NOT let comfort or familiarity with product (gained from repeated use) replace strict adherence to rotary hammer safety rules. If you use this tools unsafely or incorrectly, you can suffer serious personal injury.

- **Hold tool by insulated gripping surfaces when performing an operation where the cutting tools may contact hidden wiring or its own cord.** Contact with a "live" wire will make exposed metal parts of the tool "live" and shock the operator. Do not drill, fasten or break into existing walls or other blind areas where electrical wiring may exist. If this situation is unavoidable, disconnect all fuses or circuit breakers feeding this worksite.
- **Wear ear protectors when using the tool for extended periods.** Prolonged exposure to high intensity noise can cause hearing loss. Always use auxiliary handle for maximum control over torque reaction or kick-back. High torque 3/8" and larger chuck capacity drills are equipped with auxiliary handles.
- **Always wear a hard hat, safety goggles or eye protection when using this tool.** Use a dust mask or respirator for applications which generate dust.
- **Use thick cushioned gloves and limit the exposure time by taking frequent rest periods.** Vibration caused by hammer drill action may be harmful to your hands and arms.
- **Secure the material being drilled. Never hold it in your hand or across legs.** Unstable support can cause the drill bit to bind causing loss of control and injury.
- **Never leave the trigger locked "ON".** Before plugging the tool in, check that the trigger lock is "OFF". Accidental start-ups could cause injury.
- **Position the cord clear of rotating bit.** Do not wrap the cord around your arm or wrist. If you lose control and have the cord wrapped around your arm or wrist it may entrap you and cause injury.
- **Position yourself to avoid being caught between the tool or side handle and walls or posts.** Should the bit become bound or jammed in the work, the reaction torque of the tool could crush your hand or leg.
- **Do not use the switch "Lock-ON" feature in situations where drill bit binding is likely.** (For example: just before the bit is ready to break through the material, anytime when using a "Hole Saw", auger bits etc.) When the bit binds, the drill's body will twist or kick-back in opposite direction and the release of the trigger "Lock-ON" may be difficult.
- **Be aware of the location and setting of the switch "Lock-ON" button.** If the switch is locked "ON" during the use, be ready for emergency situations to switch it "OFF", by first pulling the trigger then immediately releasing it without pressing the "Lock-ON" button.

3. FUNCTIONAL DESCRIPTION AND SPECIFICATION

- **Be sure the bit is secured in place before operation.**
- **Check tightness of screws carefully before operation.** Under normal operation, the tool is designed to produce vibration. The screws can come loose easily, causing a breakdown or accident.
- **Let the tool warm up for a while by operating it under no load in cold weather or when the tool has not been used for a long time.** This will loosen up the lubrication. Without proper warm-up, hammering operation is difficult.
- **Always be sure you have a firm footing.** Be sure no one is below when using the tool in high location.
- **Hold the tool firmly with both hands.**
- **Keep hands away from moving parts.**
- **Do not leave the tool running.** Operate the tool only when hand-held.
- **Do not point the tool at any one in the area when operating.** The bit could fly out and injure someone seriously.
- **Do not touch the bit or parts close to the bit immediately after operation.** They may be extremely hot and could burn your skin.
- **Some material contains chemicals which may be toxic.** Take caution to prevent dust inhalation and skin contact. Follow material supplier safety data.

FUNCTIONAL DESCRIPTION

A	B
1. Drill bit	1. ON/OFF switch
2. Depth gauge	2. Lock-on button
3. Dust protector	C
4. Chuck cover	1. Change lever
5. Change lever	3. Release button
6. Gear box	D
7. Switch trigger	1. Drill bit
8. Lock ON button	2. Dust protector
9. Handle	3. Chuck cover
10. Cord sleeve	E
11. Motor housing	1. Drill bit
12. Side handle	2. Chuck cover

SPECIFICATION

Rated voltage	220-240V
Rated frequency	50Hz
Rated input power	800W
No-load speed	1200 RPM
Impact rate	4850/min
Max. drilling capacity in concrete	26 mm
Weight	3 kg

4. OPERATING INSTRUCTIONS

Noise and vibration information. Noise emission (EN 60745):

A-weighted sound pressure level	L _{pA} - 91 dB(A)	K _{pA} - 3.0 dB
A-weighted sound power level	L _{wA} - 102 dB(A)	K _{wA} - 3.0 dB

Wear hearing protection!

Vibration emission. Total vibration values (vector sum in the three axes).

Vibration emission value	a _h - 14 m/s ²	K - 2 m/s ²
--------------------------	--------------------------------------	------------------------

OPERATING INSTRUCTION

CAUTION:

Always be sure that the tool is switched off and unplugged before adjusting or checking function on the tool.

SWITCH ACTION (Fig. B)

CAUTION:

- Before plugging in the tool, always check to see that the switch trigger actuates properly and returns to the "OFF" position when released.
- To start the tool, simply pull the switch trigger (1).
- To lock trigger ON, squeeze trigger, depress lock button (3) and release trigger.
- To unlock the trigger, squeeze trigger and release it without depressing the Lock ON Button.


CAUTION: if the Lock ON button is continuously being depressed, the trigger can not be released.

SELECTING THE ACTION MODE (Fig. C)

- When selecting an action mode, first set the change lever and the shift lever to the position shown in the figure. Then proceed as follows.


Drilling

- For drilling in metal, wood, plastics, etc.


Depress the lock button and rotate the change lever so that the pointer points to the symbol .

Rotation with hammering


- For drilling in concrete, masonry, etc., Use a tungsten carbide tipped bit.

Depress the lock button and rotate the change lever so that the pointer points to the symbol .

Hammering only

- For chipping, scaling or demolition operations, depress the lock button and rotate the change lever so that the pointer points to the symbol .
- Use a bull point, cold chisel, scaling chisel, etc.

Adjusting the chisel

- Depress the lock button and rotate the change lever so that the pointer points to the symbol .
- Insert and fix the chisel in necessary position.

CAUTION:

- Do not rotate the change lever and/or shift lever when the tool is running under load. The tool will be damaged.
- To avoid rapid wear on the mode change mechanism, be sure that the change lever and/or shift lever is always positively located in one of the two action mode positions.

5. MAINTENANCE

- The side grip swings around to either side, allowing easy handling of the tool in any position. Loosen the side handle by turning it counterclockwise, swing it to the desired position and then tighten it by turning clockwise.

INSTALLING OR REMOVING THE BIT (Fig. D, E)

- Clean the bit shank and apply bit grease before installing the bit.
- Insert the bit (1) into the tool. Turn the bit and push it in until it engages.
- If the bit cannot be pushed in, remove the bit. Pull the chuck cover (2) down a couple of times. Then insert the bit again. Turn the bit and push it in until it engages.
- After installing, always make sure that the bit is securely held in place by trying to pull it out.
- To remove the bit, pull the chuck cover (2) down all the way and pull the bit out.

DEPTH GAUGE

- The depth gauge is convenient for drilling holes of uniform depth. Insert the depth gauge into the hole in the grip base.
- Adjust the depth gauge to the desired depth and then tighten the side handle to secure the depth gauge.

MAINTENANCE

SERVICE : WARNING ! Preventive maintenance performed by unauthorized personnel may result in misplacing of internal wires and components which could cause serious hazard. We recommend that all tool service be performed by a Factory Authorized Service Station.

TOOL LUBRICATIONS

This tool requires no hourly or daily lubrication because it has a grease-packed lubrication system. Lubricate the tool every time the carbon brushes are replaced.

CARBON BRUSHES

- The brushes and commutator in your tool have been engineered for many hours of dependable service.
- To maintain peak efficiency of the motor, we recommend every 50 hours of operation the brushes be examined.
- Only genuine replacement brushes specially designed for your tool should be used.

CLEANING: WARNING ! To avoid accidents always disconnect the tool from the power supply before cleaning or performing any maintenance. The tool may be cleaned most effectively with compressed dry air. Always wear safety goggles when cleaning tools with compressed air.

Ventilation openings and switch levers must be kept clean and free of foreign matter. Do not attempt to clean by inserting pointed objects through openings.

CAUTION ! Certain cleaning agents and solvents damage plastic parts. Some of these are: gasoline, carbon tetrachloride, chlorinated cleaning solvents, ammonia and household detergents that contain ammonia.

6. CE DECLARATION OF CONFORMITY

CE DECLARATION OF CONFORMITY

We STATUS ITALIA S.R.L. as the responsible manufacturer declare that the following STATUS machine(s): Rotary hammer Model No./ Type: MPR31 are of series production and conforms to the following European Directives: Machine Directives: 2006/42/EC.

And are manufactured in accordance with the following standards or standardised documents:

EN 60745-1:2009/A11:2010, EN 60745-2-6:2010, EN 55014-1:2006/A2:2011, EN 55014-2:1997/A2:2008, EN 61000-3-2:2014, EN 61000-3-3:2013.

The technical documentation kept by the manufacturer: STATUS ITALIA S.R.L., via Aldo Moro, 14/A, 36060 - Pianezze (VI), ITALY



Caron Giacinto
Director
STATUS ITALIA S.R.L.

EINFÜHRUNG

Das von Ihnen erworbene Elektrowerkzeug wird Ihre Erwartungen übersteigen. Es ist gemäß den hohen Qualitätsstandards von STATUS hergestellt, die den strengen Anforderungen des Verbrauchers entsprechen. Einfach in der Bedienung und ungefährlich bei richtiger Handhabung, wird dieses Gerät bei bestimmungsgemäßem Gebrauch Ihnen lange Jahre zuverlässig dienen.



WARNUNG! Lesen Sie die ganze Originalbetriebsanleitung aufmerksam durch, bevor Sie das neu erworbene STATUS - Elektrowerkzeug in Betrieb nehmen. Beachten Sie besonders die Texte, die mit den Wörtern „Warnung“ beginnen. Ihr STATUS - Elektrowerkzeug besitzt viele Eigenschaften, die Ihre Arbeit erleichtern werden. Bei der Entwicklung dieses Elektrowerkzeuges ist höchste Aufmerksamkeit der Sicherheit, den Betriebseigenschaften und der Zuverlässigkeit gewidmet worden, die es einfach zur Wartung und Bedienung machen.



Keine elektrischen Geräte zusammen mit dem Hausmüll wegwerfen! Die Abfälle von elektrischen Erzeugnissen sollen nicht zusammen mit dem Hausmüll gesammelt werden. Für eine umweltgerechte Entsorgung geben Sie Ihren alten / defekten Elektrogeräte bitte in der nächsten kommunalen Sammelstelle ab.

UMWELTSCHUTZ

Angesichts des Umweltschutzes sollen das Elektrowerkzeug, die Zubehörteile und die Verpackung einer geeigneten Wiederverwertung zugeführt werden. Zum sortenreinen Recycling sind die Teile, hergestellt aus Kunststoffen, entsprechend gekennzeichnet.

ALLGEMEINE SICHERHEITSHINWEISE FÜR ELEKTROWERKZEUGE



WARNUNG: Lesen Sie alle Sicherheitshinweise und Anweisungen. Versäumnisse bei der Einhaltung der Sicherheitshinweise und Anweisungen können elektrischen Schlag, Brand und/oder schwere Verletzungen verursachen.

Bewahren Sie alle Sicherheitshinweise und Anweisungen für die Zukunft auf.

Der in den Sicherheitshinweisen verwendete Begriff „Elektrowerkzeug“ bezieht sich auf netzbetriebene Elektrowerkzeuge (mit Netzkabel) und auf akkubetriebene Elektrowerkzeuge (ohne Netzkabel).

Arbeitsplatzsicherheit

- **Halten Sie Ihren Arbeitsbereich sauber und gut beleuchtet.** Unordnung oder unbeleuchtete Arbeitsbereiche können zu Unfällen führen.
- **Arbeiten Sie mit dem Elektrowerkzeug nicht in explosionsgefährdeter Umgebung, in der sich brennbare flüssigkeiten, Gase oder Stäube befinden.** Elektrowerkzeuge erzeugen Funken, die den Staub oder die Dämpfe entzünden können.
- **Halten Sie Kinder und andere Personen während der Benutzung des Elektrowerkzeugs fern.** Bei Ablenkung können Sie die Kontrolle über das Gerät verlieren.

Elektrische Sicherheit

- **Der Anschlussstecker des Elektrowerkzeuges muss in die Steckdose passen.** Der Stecker darf in keiner Weise verändert werden. Verwenden Sie keine Adapterstecker gemeinsam mit schutzgeerdeten Elektrowerkzeugen. Unveränderte Stecker und passende Steckdosen verringern das Risiko eines elektrischen Schlages.

- **Vermeiden Sie Körperkontakt mit geerdeten Oberflächen wie von Rohren, Heizungen, Herden und Kühlschränken.** Es besteht ein erhöhtes Risiko durch elektrischen Schlag, wenn Ihr Körper geerdet ist.
- **Halten Sie Elektrowerkzeuge von Regen oder Nässe fern.** Das Eindringen von Wasser in ein Elektrowerkzeug erhöht das Risiko eines elektrischen Schlages.
- **Zweckentfremden Sie das Kabel nicht, um das Elektrowerkzeug zu tragen, aufzuhängen oder um den Stecker aus der Steckdose zu ziehen.** Halten Sie das Kabel fern von Hitze, Öl, scharfen Kanten oder sich bewegenden Geräteteilen. Beschädigte oder verwickelte Kabel erhöhen das Risiko eines elektrischen Schlages.
- **Wenn Sie mit einem Elektrowerkzeug im freien arbeiten, verwenden Sie nur Verlängerungskabel, die auch für den Außenbereich geeignet sind.** Die Anwendung eines für den Außenbereich geeigneten Verlängerungskabels verringert das Risiko eines elektrischen Schlages.
- **Wenn der Betrieb des Elektrowerkzeuges in feuchter Umgebung nicht vermeidbar ist, verwenden Sie einen fehlerstromschutzschalter.** Der Einsatz eines Fehlerstromschutzschalters vermindert das Risiko eines elektrischen Schlages.

Sicherheit von Personen

- **Seien Sie aufmerksam, achten Sie darauf, was Sie tun, und gehen Sie mit Vernunft an die Arbeit mit einem Elektrowerkzeug. Benutzen Sie kein Elektrowerkzeug, wenn Sie müde sind oder unter dem Einfluss von Drogen, Alkohol oder Medikamenten stehen.** Ein Moment der Unachtsamkeit beim Gebrauch des Elektrowerkzeuges kann zu ernsthaften Verletzungen führen.
- **Tragen Sie persönliche Schutzausrüstung und immer eine Schutzbrille.** Das Tragen persönlicher Schutzausrüstung, wie Staubmaske, rutschfeste Sicherheitsschuhe, Schutzhelm oder Gehörschutz, je nach Art und Einsatz des Elektrowerkzeuges, verringert das Risiko von Verletzungen.
- **Vermeiden Sie eine unbeabsichtigte Inbetriebnahme. Vergewissern Sie sich, dass das Elektrowerkzeug ausgeschaltet ist, bevor Sie es an die Stromversorgung und/oder den Akku anschließen, es aufnehmen oder tragen.** Wenn Sie beim Tragen des Elektrowerkzeuges den Finger am Schalter haben oder das Gerät eingeschaltet an die Stromversorgung anschließen, kann dies zu Unfällen führen.
- **Entfernen Sie Einstellwerkzeuge oder Schraubenschlüssel, bevor Sie das Elektrowerkzeug einschalten.** Ein Werkzeug oder Schlüssel, der sich in einem drehenden Geräteteil befindet, kann zu Verletzungen führen.
- **Vermeiden Sie eine abnormale Körperhaltung. Sorgen Sie für einen sicheren Stand und halten Sie jederzeit das Gleichgewicht.** Dadurch können Sie das Elektrowerkzeug in unerwarteten Situationen besser kontrollieren.
- **Tragen Sie geeignete Kleidung. Tragen Sie keine weite Kleidung oder Schmuck. Halten Sie Haare, Kleidung und Handschuhe fern von sich bewegenden Teilen.** Lockere Kleidung, Schmuck oder lange Haare können von sich bewegenden Teilen erfasst werden.
- **Wenn Staubabsaug- und auffangeinrichtungen montiert werden können, vergewissern Sie sich, dass diese angeschlossen sind und richtig verwendet werden.**

3. ZUSÄTZLICHE SICHERHEITSHINWEISE

Verwendung und Behandlung des Elektrowerkzeuges

- **Überlasten Sie das Gerät nicht. Verwenden Sie für Ihre Arbeit das dafür bestimmte Elektrowerkzeug.** Mit dem passenden Elektrowerkzeug arbeiten Sie besser und sicherer im angegebenen Leistungsbereich.
- **Benutzen Sie kein Elektrowerkzeug, dessen Schalter defekt ist.** Ein Elektrowerkzeug, das sich nicht mehr ein- oder ausschalten lässt, ist gefährlich und muss repariert werden.
- **Ziehen Sie den Stecker aus der Steckdose und/oder entfernen Sie den Akku, bevor Sie Geräteeinstellungen vornehmen, Zubehörteile wechseln oder das Gerät weglegen.** Diese Vorsichtsmaßnahme verhindert den unbeabsichtigten Start des Elektrowerkzeuges.
- **Bewahren Sie unbenutzte Elektrowerkzeuge außerhalb der Reichweite von Kindern auf.** Lassen Sie Personen das Gerät nicht benutzen, die mit diesem nicht vertraut sind oder diese Anweisungen nicht gelesen haben. Elektrowerkzeuge sind gefährlich, wenn Sie von unerfahrenen Personen benutzt werden.
- **Prüfen Sie Elektrowerkzeuge mit Sorgfalt. Kontrollieren Sie, ob bewegliche Teile einwandfrei funktionieren und nicht klemmen, ob Teile gebrochen oder so beschädigt sind, dass die Funktion des Elektrowerkzeuges beeinträchtigt ist. Lassen Sie beschädigte Teile vor dem Einsatz des Gerätes reparieren.** Viele Unfälle haben ihre Ursache in schlecht gewarteten Elektrowerkzeugen.
- **Halten Sie Schneidwerkzeuge scharf und sauber.** Sorgfältig gepflegte Schneidwerkzeuge mit scharfen Schneidkanten verklemmen sich weniger und sind leichter zu führen.
- **Verwenden Sie Elektrowerkzeug, Zubehör, Einsatzwerkzeuge usw. entsprechend diesen Anweisungen. Berücksichtigen Sie dabei die Arbeitsbedingungen und die auszuführende Tätigkeit.** Der Gebrauch von Elektrowerkzeugen für andere als die vorgesehenen Anwendungen kann zu gefährlichen Situationen führen.

Service

- **Lassen Sie Ihr Elektrowerkzeug nur von qualifiziertem Fachpersonal und nur mit Original-Ersatzteilen reparieren.** Damit wird sichergestellt, dass die Sicherheit des Elektrowerkzeuges erhalten bleibt.

ZUSÄTZLICHE SICHERHEITSHINWEISE



Gehörschutz tragen. Das intensive Geräusch während der Arbeit kann Gehörschäden verursachen.

- **Beim Arbeiten immer den Zusatzhandgriff verwenden.** Ein Kontrollverlust kann zu schweren körperlichen Verletzungen führen.



Beim Arbeiten persönliche Schutzausrüstung und immer eine Schutzbrille tragen.



Bei stauberzeugenden Arbeiten, Unfallverhütungsvorschriften beachten! Einige Materialien können Giftstoffe enthalten. Tragen Sie eine Staubmaske. Das Verwenden von Staubabsaug- und Auffangeinrichtungen verringert die Gefährdung durch Staub.

3. ZUSÄTZLICHE SICHERHEITSHINWEISE

- **Halten Sie das Gerät nur an den isolierten Griffflächen, wenn Sie Arbeiten ausführen, bei denen das Einsatzwerkzeug verborgene Stromleitungen oder das eigene Netzkabel treffen kann.** Der Kontakt mit einer spannungsführenden Leitung kann auch metallene Geräteteile unter Spannung setzen und zu einem elektrischen Schlag führen.

- Asbestenthaltende Materialien nicht bearbeiten. Asbest gilt als krebserregend.



WARNUNG: Netzspannung beachten! Vor Anschluss des elektrischen Gerätes prüfen, ob die auf dem Typenschild angegebene Spannung der Netzspannung entspricht.

- Höhere Netzspannung als die auf dem Leistungsschild angegebene Spannung kann zu schweren Verletzungen von Personen und zu Schäden am Elektrowerkzeug führen.
- Sind Sie nicht sicher, stecken Sie nicht den Anschlussstecker des elektrischen Gerätes in die Steckdose ein.
- Netzspannung, die niedriger als die auf dem Leistungsschild angegebene Spannung ist, kann den Elektromotor beschädigen.
- Um eventuelle Überhitzung zu vermeiden, Verlängerungskabel immer von der Kabeltrommel abwickeln.
- Verwenden Sie nur Verlängerungskabel, die auch für das Elektrowerkzeug zugelassen sind. Kontrollieren Sie Verlängerungskabel regelmässig und ersetzen Sie sie, wenn sie beschädigt sind.



WARNUNG: Ziehen Sie den Stecker aus der Steckdose, bevor Sie Geräteeinstellungen oder Wartung vornehmen, Zubehörteile wechseln oder das Gerät weglegen.

- Beim Arbeiten halten Sie das elektrische Gerät mit beiden Händen fest. Sorgen Sie für einen sicheren Stand und halten Sie jederzeit das Gleichgewicht. Das Elektrowerkzeug wird sicher geführt, wenn man es mit beiden Händen festhält.
- Vorsicht vor verdeckt liegenden elektrischen Leitungen, Gas- und Wasserrohren! Beim Werkzeugkontakt mit verdeckt liegenden elektrischen Leitungen besteht das Risiko eines elektrischen Schlages. Die Beschädigung von Gasrohren kann zu einer Explosion führen. Das Durchbohren einer Wasserleitung kann zu Vermögensschaden oder Verletzungen durch elektrischen Schlag führen.
- Das Netzkabel ausserhalb des Arbeitsbereichs des Bohrhammers führen.
- Überzeugen Sie sich von der Unversehrtheit des Netzkabels und des Steckers. Ein beschädigtes Netzkabel nicht berühren und den Stecker aus der Steckdose ziehen, wenn das Kabel während der Arbeit beschädigt wird. Es besteht das sonst Risiko eines elektrischen Schlages.
- Sorgen Sie für einen sicheren Stand und halten Sie jederzeit das Gleichgewicht. Falls Sie mit dem Gerät auf einer Leiter arbeiten, überzeugen Sie sich, dass darunter niemand steht.
- Das zu bearbeitende Werkstück festspannen oder entsprechend sichern.
- Beim Arbeiten das Elektrowerkzeug immer fest mit beiden Händen halten. Bei Überlastung wird das Arbeitswerkzeug festklemmen. Klemmt das Arbeitswerkzeug fest, wird sein Antrieb von der integrierten mechanischen Sicherheitskupplung unterbrochen.
- Berühren Sie das Arbeitswerkzeug oder das bearbeitete Werkstück nicht gleich nach der Arbeit - es besteht die Gefahr vor Hautverbrennung.

- Halten Sie Ihren Arbeitsbereich sauber und aufgeräumt. Die Staubmischung von unterschiedlichen Materialien ist gefährlich. Der Staub von Leichtmetallen kann brennen und zu Explosion führen.
- Lassen Sie keine Laschen, Schnüre, Leitungen oder Draht usw. im Arbeitsbereich.
- Schalten Sie die Maschine aus, bevor Sie sie weglegen.
- Verwenden Sie das elektrische Gerät entsprechend diesen Anweisungen und so, wie es für diesen speziellen Gerätetyp vorgeschrieben ist. Der Gebrauch von elektrischen Geräten für andere als die vorgesehenen Anwendungen kann zu gefährlichen Situationen führen. Die Verantwortung für jede Beschädigung oder Verletzung trägt in diesem Fall der Verbraucher und nicht der Hersteller.
- Um mit diesem elektrischen Gerät richtig umzugehen, müssen Sie die Sicherheitshinweise und die hier angegebenen allgemeinen Betriebsanleitungen berücksichtigen. Alle Anwender sind mit dieser Betriebsanleitung und den Sicherheitshinweisen bekanntzumachen. Bewahren Sie unbenutzte elektrische Geräte außerhalb der Reichweite von Kindern auf. Lassen Sie Personen das elektrische Gerät nicht benutzen, die mit diesem nicht vertraut sind oder diese Anweisungen nicht gelesen haben. Elektrische Geräte sind gefährlich, wenn sie von unerfahrenen Personen benutzt werden.
- Der Hersteller haftet nicht für jegliche eigenmächtige Veränderung am elektrischen Gerät und für die daraus folgenden Schäden.
- Arbeiten Sie mit dem elektrischen Gerät nicht im Freien und bei Regen, in explosionsgefährdeter Umgebung, in der sich brennbare Flüssigkeiten, Gase oder Staube befinden. Der Arbeitsplatz muss gut beleuchtet sein.

BETRIEBSHINWEISE

Elemente des Elektrowerkzeugs

Bevor Sie mit dem Elektrowerkzeug zu arbeiten beginnen, lernen Sie alle operative Besonderheiten und Sicherheitshinweise kennen.

Verwenden Sie das elektrische Gerät nur bestimmungsgemäß und unter Beachtung der allgemeinen Sicherheits- und Unfallverhütungsvorschriften.

Jede andere Verwendung ist ausdrücklich verboten

A

1. Bohrer
2. Tiefenmesser
3. Staubschutz
4. Futterdeckel
5. Hebel wechseln
6. Getriebe
7. EIN/AUS - Schalter
8. Feststellknopf
9. Griff
10. Kabelhülse
11. Motorgehäuse
12. Seitlicher Griff

B

1. EIN/AUS - Schalter
2. Feststellknopf

C

1. Betriebsartenumschalter
2. Fixator

D / E

1. Bohrer
2. Staubschutz
3. Futterdeckel

Bevor sie das gerät in betrieb setzen

- Prüfen Sie, ob die auf dem Leistungsschild angegebene Spannung der Netzspannung entspricht.
 - Prüfen Sie die Position des Tippschalters. Das elektrische Gerät darf an die Netzspannung nur bei ausgeschaltetem Tippschalter angeschlossen werden. Wenn Sie das Gerät bei eingeschaltetem Tippschalter an die Steckdose anschließen, besteht die Voraussetzung für einen Unfall.
 - Stellen Sie sicher, dass die Anschlussleitung und der Gerätestecker in gutem Zustand sind. Kontrollieren Sie regelmäßig die Anschlussleitung des elektrischen Gerätes und lassen Sie sie bei Beschädigung von qualifiziertem Fachpersonal oder von einer autorisierten Vertrags-Kundendienstwerkstatt erneuern.
- WARNUNG:** Ziehen Sie den Stecker aus der Steckdose, bevor Sie Geräteeinstellungen und Wartung vornehmen, Zubehörteile wechseln oder das Gerät weglegen.
- Wenn der Arbeitsbereich von der Steckdose entfernt ist, verwenden Sie möglichst kürzere Verlängerungskabel. Nur für den Aussenbereich zugelassene und entsprechend gekennzeichnete Verlängerungskabel verwenden.
 - Prüfen Sie, ob der Zusatzhandgriff gut montiert und festgezogen ist.

EIN- UND AUSSCHALTEN (Bild B)

Momentschaltung:

- Einschalten: Ein-Aus-Schalter (1) drücken.
- Ausschalten: Ein-Aus-Schalter (1) loslassen.

Dauerschaltung:

- Einschalten: Ein-Aus-Schalter (1) bei Rechtsstellung des Hebels (4) drücken und in gedrückter Stellung mit Feststellknopf (3) arretieren.
- Ausschalten: Ein-Aus-Schalter (1) kurzzeitig drücken und sofort loslassen.

STUFENLOSE ELECTRONISCHE DREHZAHREGELUNG





Durch leichtes Drücken des Ein-Aus-Schalters (1) wird die Maschine mit niedrigen Drehzahlen angefahren.

Die Drehzahl wird durch Verstärken des Drucks auf den Ein-Aus-Schalter stufenlos bis max. erhöht.

BETRIEBSARTUMSCHALTEN (Abb. C)

Das Umschalten der Betriebsarten soll nur in Ruhestand oder bei anhaltender Maschine erfolgen.

Der Fixator (2) des Betriebsartenumschalters (1) wird gedrückt, und der Umschalter wird gleichzeitig zur gewünschten Stellung gedreht:

- Bohren (Symbol ) - Bohren von Löchern in Metall, Holz, Kunststoff u.a.
- Schlagbohren (Symbol ) - Bohren von Löchern in Beton, Gestein u.a.
- Nuten (Symbol ) - Nuten in Beton und Meisseln.
- Einstellen des Meissels (Symbol ). Der Meissel wird in die gewünschte Position gestellt und fixiert.


INSTALLIEREN ODER ENTFERNEN DES BITS (Abb. D, E)




- Reinigen Sie den Bitschaft und tragen Sie etwas Fett auf, bevor Sie den Bit einbauen.
- Setzen Sie das Bit (1) in das Werkzeug ein. Drehen Sie das Bit und drücken Sie es bis es einrastet.

4. BETRIEBSHINWEISE

- Wenn das Bit nicht hineingeschoben werden kann, entfernen Sie das Bit. Ziehen Sie die Futterabdeckung (2) nach unten a ein paar Mal. Dann fügen Sie das Bit erneut ein. Drehe das Bit und schiebe es hinein greift ein.
- Vergewissern Sie sich nach der Installation immer, dass das Bit sicher an Ort und Stelle gehalten wird, indem Sie es versuchen um es herauszuziehen.
- Um den Bohrer zu entfernen, ziehen Sie die Futterabdeckung (2) ganz nach unten und ziehen Sie den Bohrer heraus.

EINSETZEN UND FESTSTELLEN EINES SDS-plus MEISSELS

Betriebsartenumschalter (Abb.1 Pos.5) in Stellung () drehen. Die äussere Haube des Depots (Abb.1 Pos.4) nach hinten ziehen. Der Meißel wird bis zum Anschlag eingeführt, wobei darauf geachtet wird, dass die Schlitz des Werkzeugfutters in die Nute des Werkzeugschafts passen und einrasten, dann wird das Werkzeug futter losgelassen und der Werkzeug ist verriegelt.

Den Betriebsartenumschalter (5) zum Symbol () zum Einstellen des Meissels drehen. In dieser Stellung des Betriebsartenumschalters (5) kann der Meissel zur gewünschten Arbeitsposition gedreht werden. Danach den Betriebsartenumschalter (5) zur Fixierung auf Position () drehen. Zum Meisseln soll der Betriebsartenumschalter (5) immer in Position () sein.

ZUSATZGRIFF

Der Zusatzgriff (Abb.1 Pos.12) wird am Hals der Maschine eingedreht. Aus Sicherheitsgründen soll der Zusatzgriff 9 immer benutzt werden. Durch das Anschlaglineal wird die Bohrtiefe bestimmt. Der zusätzliche Handgriff bei diesen Modellen ist am Gehäuse der Maschine mittels vibrationsdämpfender Elemente befestigt, was den Benutzer schützt und eine Ermüdung bei der Arbeit reduziert.

DREHMOMENTBEGENZUNG

Die Sicherheitskupplung der Maschine begrenzt das Drehmoment. Beim Betätigen der Sicherheitskupplung wird der Antrieb des Spindels unterbrochen und das Arbeitswerkzeug (der Bohrer) hält an sich zu drehen. Die Maschine sofort ausschalten, um ihre vorzeitige Abnutzung zu vermeiden.

EMPFEHLUNGEN ZUR ARBEIT

Bei niedrigeren Temperaturen und bei langem Stillstand der Maschine lassen Sie sie zur Erwärmung zuerst eine gewisse Zeit leerlaufen. So verbessert sich die Schmierung. Schlagbohren ist unmöglich, wenn die Maschine nicht richtig erwärmt ist. Bei Betonbohrung einen mäßigen Druck (ca. 80-100 N) anwenden!

Der starke Druck steigert die Bohrleistung nicht, führt aber zur Verkürzung der Lebensdauer des Elektrowerkzeugs. Werkzeugschaft vor dem Einsetzen reinigen und fetten. Von Zeit zu Zeit den Bohrer aus der Bohrung ziehen, um den Staub zu beseitigen. Auf die Abnutzung des Bohrers achten und ihn auswechseln, wenn eine wesentliche Absenkung der Leistungsfähigkeit festgestellt wird.

5. WARTUNG

WARTUNG

WARNUNG: Ziehen Sie den Stecker aus der Steckdose, bevor Sie eine Inspektion oder Wartung vornehmen.

Instandhaltung

Prüfen Sie regelmäßig, ob alle Stützelemente fest angezogen sind. Falls eine Klemmschraube gelöst ist, unverzüglich anziehen, um Risiken zu vermeiden. Wenn die Anschlussleitung beschädigt ist, muss sie von einer autorisierten Vertrags-Kundendienstwerkstatt ausgetauscht werden.

Reinigung

Pflegen Sie das elektrische Gerät und die Entlüftungsöffnungen mit Sorgfalt. Zur sicheren Arbeit das Elektrowerkzeug und die Lüftungsschlitze stets sauber halten. Immer nach dem Arbeiten die Lüftungsschlitze und die Werkzeugaufnahme reinigen. Verwenden Sie eine weiche Bürste, um Staub zu entfernen. Tragen Sie eine Schutzbrille während der Reinigung. Reinigen Sie den Gerätekörper mit einem weichen, feuchten Tuch und leichtem Spülmittel.



WARNUNG: Die Verwendung von Spiritus, Benzin oder anderen Lösungsmitteln ist nicht zugelassen. Verwenden Sie keine ätzenden Reinigungsmittel für die Kunststoffteile.

WARNUNG: Das Eindringen von Wasser in das Elektrogerät ist nicht ratsam.

ACHTUNG! Um den sicheren und zuverlässigen Betrieb des Elektrowerkzeuges sicherzustellen, lassen Sie alle Geräteeinstellungen, Reparatur und Wartungstätigkeiten (einschließlich der Inspektion und Instandsetzung der Kohlebürsten) von einer autorisierten STATUS Vertrags-Kundendienstwerkstatt durchführen.

Integrierter Staubschutz

Die Staubschutzkappe (1) verhindert das Eindringen von Bohrstaub während des Betriebes. Beim Einsetzen des Werkzeugs darauf achten, dass die Staubschutzkappe (1) nicht beschädigt wird.

WARNUNG: Eine beschädigte Staubschutzkappe ist sofort auszutauschen! Zum Auswechseln der Staubschutzkappe (1) die Verriegelungshülse (2) nach hinten schieben. Die Staubschutzkappe fassen und kräftig schräg nach vorn abziehen. Die neue Staubschutzkappe schräg auf die Spindel ansetzen und stark aufdrücken.

6. TECHNISCHE DATEN

7. KONFORMITÄTSERKLÄRUNG

TECHNISCHE DATEN

Modell	MPR31
Spannung	220-240V 50Hz
Nennaufnahme	800W
Leerlaufdrehzahl	0-1200 DPM
Max. Schlagzahl	4850/min
Einzelschlag - Energie	3J
Werkzeugdurchmesser in Beton	
- windelbohrer	26mm
- hohlbohrkrone	52mm
Werkzeugaufnahme	SDS-Plus
Gewicht (EPTA 01/2003)	3kg
Schutzklasse (EN 60745-1)	II
Schalldruckpegel	LpA - 91 dB(A), KpA - 3 dB
Schalleistungspegel	LwA - 102 dB(A), KwA - 3 dB
Vibrationswerte	
	a _h - 14 m/s ² , K _{HD} - 1,5 m/s ² (Bohrhämmer)

ZUBEHÖR

Zusatzhandgriff, Anschlaglineal, Kunststoffkoffer, Handbuch, Verpackung.

KONFORMITÄTSERKLÄRUNG

Hiermit versichern wir unsere persönliche Haftung, dass dieses Erzeugnis allen einschlägigen Bestimmungen folgender Richtlinien und entsprechender harmonisierten Standards entspricht:

2006/42/EC,

EN 60745-1:2009/A11:2010, EN 60745-2-6:2010, EN 55014-1:2006/A2:2011,

EN 55014-2:1997/A2:2008, EN 61000-3-2:2014, EN 61000-3-3:2013.

Die technischen Unterlagen werden bei STATUS ITALIA S.R.L., via Aldo Moro, 14/A, 36060 - Pianezze (VI), ITALIEN, aufbewahrt.

Caron Giacinto
Direktor
STATUS ITALIA S.R.L.

1. AVVERTENZE GENERALI DI PERICOLO PER ELETTROUTENSILI

AVVERTENZE GENERALI DI PERICOLO

AVVERTENZA ! Leggere tutte le avvertenze di pericolo e le istruzioni operative. In caso di mancato rispetto delle avvertenze di pericolo e delle istruzioni operative si potrà creare il pericolo di scosse elettriche, incendi e/o incidenti gravi.

Conservare tutte le avvertenze di pericolo e le istruzioni operative per ogni esigenza futura.

1) Sicurezza della postazione di lavoro

- **Tenere la postazione di lavoro sempre pulita e ben illuminata.** Il disordine oppure zone della postazione di lavoro non illuminate possono essere causa di incidenti.
- **Evitare d'impiegare l'elettrotensile in ambienti soggetti al rischio di esplosioni nei quali si abbia presenza di liquidi, gas o polveri infiammabili.** Gli elettrotensili producono scintille che possono far infiammare la polvere o i gas.
- **Tenere lontani i bambini ed altre persone durante l'impiego dell'elettrotensile.** Eventuali distrazioni potranno comportare la perdita del controllo sull'elettrotensile.

2) Sicurezza elettrica

- **Tenere l'apparecchio per le superfici isolate dell'impugnatura qualora venissero effettuati lavori durante i quali l'accessorio potrebbe venire a contatto con cavi elettrici nascosti oppure con il proprio cavo di rete.** Il contatto con un cavo sotto tensione può mettere sotto tensione anche parti metalliche dell'apparecchio, causando una scossa elettrica.
- **La spina di allacciamento alla rete dell'elettrotensile deve essere adatta alla presa. Evitare assolutamente di apportare modifiche alla spina. Non impiegare spine adattatrici assieme ad elettrotensili dotati di collegamento a terra.** Le spine non modificate e le prese adatte allo scopo riducono il rischio di scosse elettriche.
- **Evitare il contatto fisico con superfici collegate a terra, come tubi, riscaldamenti, cucine elettriche e frigoriferi.** Sussiste un maggior rischio di scosse elettriche nel momento in cui il corpo è messo a massa.
- **Custodire l'elettrotensile al riparo dalla pioggia o dall'umidità.** La penetrazione dell'acqua in un elettrotensile aumenta il rischio di una scossa elettrica.
- **Non usare il cavo per scopi diversi da quelli previsti ed, in particolare, non usarlo per trasportare o per appendere l'elettrotensile oppure per estrarre la spina dalla presa di corrente. Non avvicinare il cavo a fonti di calore, olio, spigoli taglienti e neppure a parti della macchina che siano in movimento.** I cavi danneggiati o aggrovigliati aumentano il rischio d'insorgenza di scosse elettriche.
- **Qualora si voglia usare l'elettrotensile all'aperto, impiegare solo ed esclusivamente cavi di prolunga che siano adatti per l'impiego all'esterno.**

1. AVVERTENZE GENERALI DI PERICOLO PER ELETTROUTENSILI

- Qualora non fosse possibile evitare di utilizzare l'elettro utensile in ambiente umido, utilizzare un interruttore di sicurezza. L'uso di un interruttore di sicurezza riduce il rischio di una scossa elettrica.
- 3) Sicurezza delle persone
- È importante concentrarsi su ciò che si sta facendo e maneggiare con giudizio l'elettro utensile durante le operazioni di lavoro. Non utilizzare mai l'elettro utensile in caso di stanchezza oppure quando ci si trovi sotto l'effetto di droghe, bevande alcoliche e medicinali. Un attimo di distrazione durante l'uso dell'elettro utensile può essere causa di gravi incidenti.
 - Indossare sempre equipaggiamento protettivo individuale, nonché guanti protettivi. Indossando abbigliamento di protezione personale come la maschera per polveri, scarpe di sicurezza che non scivolino, elmetto di protezione oppure protezione acustica a seconda del tipo e dell'applicazione dell'elettro utensile, si riduce il rischio di incidenti.
 - Evitare l'accensione involontaria dell'elettro utensile. Prima di collegarlo alla rete di alimentazione elettrica e/o alla batteria ricaricabile, prima di prenderlo oppure prima di iniziare a trasportarlo, assicurarsi che l'elettro utensile sia spento. Tenendo il dito sopra l'interruttore mentre si trasporta l'elettro utensile oppure collegandolo all'alimentazione di corrente con l'interruttore inserito, si vengono a creare situazioni pericolose in cui possono verificarsi seri incidenti.
 - Prima di accendere l'elettro utensile togliere gli attrezzi di regolazione o la chiave inglese. Un accessorio oppure una chiave che si trovi in una parte rotante della macchina può provocare seri incidenti.
 - Evitare una posizione anomala del corpo. Avere cura di mettersi in posizione sicura e di mantenere l'equilibrio in ogni situazione. In questo modo è possibile controllare meglio l'elettro utensile in caso di situazioni inaspettate.
 - Indossare vestiti adeguati. Non indossare vestiti larghi, né portare bracciali e catenine. Tenere i capelli, i vestiti ed i guanti lontani da pezzi in movimento. Vestiti lenti, gioielli o capelli lunghi potranno impigliarsi in pezzi in movimento.
 - In caso fosse previsto il montaggio di dispositivi di aspirazione della polvere e di raccolta, assicurarsi che gli stessi siano collegati e che vengano utilizzati correttamente. L'utilizzo di un'aspirazione polvere può ridurre lo svilupparsi di situazioni pericolose dovute alla polvere.
- 4) Trattamento accurato ed uso corretto degli elettro utensili
- Non sottoporre la macchina a sovraccarico. Per il proprio lavoro, utilizzare esclusivamente l'elettro utensile esplicitamente previsto per il caso. Con un elettro utensile adatto si lavora in modo migliore e più sicuro nell'ambito della sua potenza di prestazione.
 - Non utilizzare mai elettro utensili con interruttori difettosi. Un elettro utensile con l'interruttore rotto è pericoloso e deve essere aggiustato.

2. ISTRUZIONI DI SICUREZZA SPECIFICHE PER LA MACCHINA

- Prima di procedere ad operazioni di regolazione sulla macchina, prima di sostituire parti accessorie oppure prima di posare la macchina al termine di un lavoro, estrarre sempre la spina dalla presa della corrente e/o estrarre la batteria ricaricabile. Tale precauzione eviterà che l'elettro utensile possa essere messo in funzione involontariamente.
 - Quando gli elettro utensili non vengono utilizzati, conservarli al di fuori del raggio di accesso di bambini. Non fare usare l'elettro utensile a persone che non siano abituate ad usarlo o che non abbiano letto le presenti istruzioni. Gli elettro utensili sono macchine pericolose quando vengono utilizzati da persone non dotate di sufficiente esperienza.
 - Eseguire la manutenzione dell'elettro utensile operando con la dovuta diligenza. Accertarsi che le parti mobili della macchina funzionino perfettamente, che non s'inzeppino e che non ci siano pezzi rotti o danneggiati al punto da limitare la funzione dell'elettro utensile stesso. Prima di iniziare l'impiego, far riparare le parti danneggiate. Numerosi incidenti vengono causati da elettro utensili la cui manutenzione è stata effettuata poco accuratamente.
 - Mantenere gli utensili da taglio sempre affilati e puliti. Gli utensili da taglio curati con particolare attenzione e con taglienti affilati s'inzeppano meno frequentemente e sono più facili da condurre.
 - Utilizzare l'elettro utensile, gli accessori opzionali, gli utensili per applicazioni specifiche ecc., sempre attenendosi alle presenti istruzioni. Così facendo, tenere sempre presente le condizioni di lavoro e le operazioni da eseguire. L'impiego di elettro utensili per usi diversi da quelli consentiti potrà dar luogo a situazioni di pericolo.
- 5) Assistenza
- Fare riparare l'elettro utensile solo ed esclusivamente da personale specializzato e solo impiegando pezzi di ricambio originali. In tale maniera potrà essere salvaguardata la sicurezza dell'elettro utensile.

ISTRUZIONI DI SICUREZZA SPECIFICHE PER LA MACCHINA

- Portare cuffie di protezione. L'effetto del rumore può provocare la perdita dell'udito.
- Utilizzare le impugnature supplementari fornite insieme all'elettro utensile. La perdita di controllo sull'elettro utensile può comportare il pericolo di incidenti.
- Al fine di rilevare linee di alimentazione nascoste, utilizzare adatte apparecchiature di ricerca oppure rivolgersi alla locale società erogatrice. Un contatto con linee elettriche può provocare lo sviluppo di incendi e di scosse elettriche. Danneggiando linee del gas si può creare il pericolo di esplosioni. Penetrando una tubazione dell'acqua si provocano seri danni materiali oppure vi è il pericolo di provocare una scossa elettrica.
- Durante le operazioni di lavoro è necessario tenere l'elettro utensile sempre con entrambe le mani ed adottare una posizione di lavoro sicura.

3. DESCRIZIONE DEL FUNZIONAMENTO

Utilizzare con sicurezza l'elettrotensile tenendolo sempre con entrambe le mani.

- **Assicurare il pezzo in lavorazione.** Un pezzo in lavorazione può essere bloccato con sicurezza in posizione solo utilizzando un apposito dispositivo di serraggio oppure una morsa a vite e non tenendolo con la semplice mano.
- **Mantenere pulita la propria zona di lavoro.** Miscele di materiali di diverso tipo possono risultare particolarmente pericolose. La polvere di metalli leggeri può essere infiammabile ed esplosiva.
- **Prima di posare l'elettrotensile, attendere sempre fino a quando si sarà fermato completamente.** L'accessorio può incepparsi e comportare la perdita di controllo dell'elettrotensile.
- **Mai utilizzare l'elettrotensile con un cavo danneggiato.** Non toccare il cavo danneggiato ed estrarre la spina di rete in caso che si dovesse danneggiare il cavo mentre si lavora. Cavi danneggiati aumentano il rischio di una scossa di corrente elettrica.

DESCRIZIONE DEL FUNZIONAMENTO

Leggere tutte le avvertenze di pericolo e le istruzioni operative.

In caso di mancato rispetto delle avvertenze di pericolo e delle istruzioni operative si potrà creare il pericolo di scosse elettriche, incendi e/o incidenti gravi.

Si prega di aprire la pagina su cui si trova raffigurata schematicamente la macchina e lasciarla aperta mentre si legge il manuale delle Istruzioni per l'uso.

MPR38

L'elettrotensile è ideale per la foratura a martello in calcestruzzo, mattoni e roccia naturale ed è adatto anche per leggeri lavori di scalpellatura. Lo stesso è anche adatto per forare senza percussione nel legno, metallo, ceramica e materiale sintetico. Elettrotensili con regolazione elettronica e rotazione destrorsa/sinistrorsa sono adatti anche per avvitare e filettare.

DATI TECNICI

Martello tassellatore	MPR31
Potenza nominale assorbita	800W
Tensione	220-240V, 50/60Hz
Numero di giri a vuoto	0-1200 RPM
Numero di colpi a numero giri nominale	4850 min ⁻¹
Forza colpo singolo	3J
Attacco punta	SDS-PLUS
Diametro foratura calcestruzzo (max)	26mm
Peso in funzione della EPTA-Procedure 01/2003	3 kg
Classe di sicurezza	II

Le caratteristiche si riferiscono a tensioni nominali [U] 230/240 V. In caso di tensioni minori ed in caso di modelli speciali a seconda dei Paesi, le caratteristiche riportate possono essere divergenti.

3. DESCRIZIONE DEL FUNZIONAMENTO

Si prega di tenere presente il codice prodotto applicato sulla targhetta di costruzione del Vostro elettrotensile. Le descrizioni commerciali di singoli elettrotensili possono variare.

INFORMAZIONI SULLA RUMOROSITÀ E SULLA VIBRAZIONE

Valori misurati conformemente alla norma EN 60745.

Il livello di pressione acustica stimato A della macchina ammonta a dB(A): livello di rumorosità 91 dB(A); livello di potenza acustica 102 dB(A).

Incertezza della misura K - 3 dB.

Usare la protezione acustica!

Valori totali delle oscillazioni (somma di vettori in tre direzioni) misurati conformemente alla norma EN 60745:

Foratura a martello nel calcestruzzo:

Valore di emissione dell'oscillazione a_h - 14 m/s²,

Incertezza della misura K - 1,5 m/s²,

Il livello di vibrazioni indicato nelle presenti istruzioni è stato rilevato seguendo una procedura di misurazione conforme alla norma EN 60745 e può essere utilizzato per confrontare gli elettrotensili. Lo stesso è idoneo anche per una valutazione temporanea della sollecitazione da vibrazioni.

Il livello di vibrazioni indicato rappresenta gli impieghi principali dell'elettrotensile. Qualora l'elettrotensile venisse utilizzato tuttavia per altri impieghi, con accessori differenti oppure con manutenzione insufficiente, il livello di vibrazioni può differire. Questo può aumentare sensibilmente la sollecitazione da vibrazioni per l'intero periodo di tempo operativo. Per una valutazione precisa della sollecitazione da vibrazioni bisognerebbe considerare anche i tempi in cui l'apparecchio è spento oppure è acceso ma non è utilizzato effettivamente.

Questo può ridurre chiaramente la sollecitazione da vibrazioni per l'intero periodo operativo. Adottare misure di sicurezza supplementari per la protezione dell'operatore dall'effetto delle vibrazioni come p.es.: manutenzione dell'elettrotensile e degli accessori, mani calde, organizzazione dello svolgimento del lavoro.

COMPONENTI ILLUSTRATI

La numerazione dei componenti illustrati si riferisce all'illustrazione dell'elettrotensile che si trova sulla pagina con la rappresentazione grafica.

A

1. Punta
2. Asta di profondità
3. Protezione antipolvere
4. Ghiera attacco punta SDS-Plus
5. Selettore del modo operativo
6. Alloggiamento ingranaggi
7. Interruttore di avvio/arresto
8. Tasto di bloccaggio per interruttore avvio/arresto
9. Impugnatura
10. Manicotto del cavo di alimentazione
11. Alloggiamento motore
12. Impugnatura supplementare

B

1. Interruttore di avvio/arresto
2. Tasto di bloccaggio dell'interruttore di avvio/arresto

C

1. Selettore del modo operativo
2. Tasto di bloccaggio per selettore del modo operativo

D

1. Punta
2. Protezione antipolvere

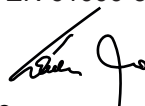
E

1. Punta
2. Ghiera attacco punta SDS-Plus

DICHIARAZIONE DI CONFORMITÀ CE

Assumendone la piena responsabilità, dichiariamo che il prodotto descritto nei «Dati tecnici» è conforme alle seguenti normative ed ai relativi documenti: 2006/42/EC.

EN 60745-1:2009/A11:2010, EN 60745-2-6:2010, EN 55014-1:2006/A2:2011, EN 55014-2:1997/A2:2008, EN 61000-3-2:2014, EN 61000-3-3:2013.

 Caron Giacinto
Director
STATUS ITALIA S.R.L.

Fascicolo tecnico presso: Komby – Via Aldo Moro,
14/A – 36060 , Pianezze (VI) – Italia

MONTAGGIO

- **Prima di qualunque intervento sull'elettro utensile estrarre la spina di rete dalla presa.**

Impugnatura supplementare

- **Utilizzare il Vostro elettro utensile soltanto con l'impugnatura supplementare.**

Regolazione dell'impugnatura supplementare (vedi figura A)

L'impugnatura supplementare (12) può essere spostata liberamente e regolata in modo da permettere di prendere una posizione di lavoro di assoluta maneggevolezza.

Girare la maniglia inferiore dell'impugnatura supplementare (12) in senso antiorario e spostare l'impugnatura supplementare (12) alla posizione richiesta. Avvitare dunque la maniglia inferiore dell'impugnatura supplementare (12) di nuovo bene in senso orario.

Prestare attenzione affinché il nastro di serraggio dell'impugnatura supplementare si trovi nella scanalatura prevista allo scopo sulla carcassa.

Regolazione della profondità di foratura (vedi Fig. B)

Tramite l'asta di profondità (2) è possibile determinare la profondità della foratura richiesta X.

Girare la maniglia inferiore dell'impugnatura supplementare (12) in senso antiorario ed applicare l'asta di profondità nell'impugnatura supplementare (12). La scanalatura all'asta di profondità (2) deve indicare verso il basso.

Spingere l'utensile accessorio SDS-Plus fino alla battuta nell'attacco dell'utensile SDS-Plus (4). In caso contrario la mobilità dell'utensile accessorio SDS-plus può impedire che la profondità della foratura possa essere regolata correttamente. Estrarre l'asta di profondità fino a quando la distanza tra l'estremità della punta e l'estremità della guida profondità corrisponde alla richiesta profondità della foratura quindi girare la maniglia inferiore dell'impugnatura supplementare in senso orario fino al bloccaggio.

Scelta del mandrino portapunta e degli utensili

Per eseguire forature, forature battenti e per lavori di scalpellatura sono necessari utensili SDS-plus che vengono applicati nel mandrino portapunta SDS-plus.

Cambio degli utensili

La protezione antipolvere (3) ha la funzione di impedire in larga misura che la polvere provocata forando possa arrivare a penetrare nel mandrino portautensile durante la fase di funzionamento. Applicando l'accessorio, attenzione a non danneggiare la protezione antipolvere (3).

- **Una protezione antipolvere danneggiata deve essere sostituita immediatamente. Si consiglia di affidare l'operazione ad un Centro di Assistenza Clienti.**

Montaggio dell'utensile accessorio SDS-plus (vedi figura D)

Con il mandrino portapunta SDS-plus è possibile sostituire l'utensile accessorio in modo facile e comodo senza l'impiego di ulteriori attrezzi.

Inserire il mandrino autoserrante SDS-plus (4).

Pulire il gambo dell'utensile accessorio ed applicarvi un leggero strato di grasso. Applicare l'accessorio nel mandrino portautensile ruotandolo fino a quando sarà arrivato a bloccarsi autonomamente.

Controllare il bloccaggio tirando l'accessorio.

Il sistema dell'accessorio SDS-plus è un sistema mobile. In questo modo si ha una deviazione della rotazione nel corso del funzionamento a vuoto. Questo fatto non ha nessun effetto sulla precisione della foratura perché la centratura del foro avviene automaticamente nel corso della foratura.

Smontaggio dell'utensile accessorio SDS-plus (vedi figura E)

Spingere la ghiera di serraggio (2) all'indietro ed estrarre l'accessorio.

Nota bene: Per eseguire forature battenti oppure lavori di scalpellatura non utilizzare mai utensili senza SDS-plus! Utensili non dotati del sistema SDS-plus ed i mandrini portapunta vengono danneggiati nel corso di lavori di foratura a martello e di scalpellatura.

Aspirazione polvere

- Polveri e materiali come vernici contenenti piombo, alcuni tipi di legname, minerali e metalli possono essere dannosi per la salute. Il contatto oppure l'inalazione delle polveri possono causare reazioni allergiche e/o malattie delle

vie respiratorie dell'operatore oppure delle persone che si trovano nelle vicinanze.

Determinate polveri come polvere da legname di faggio o di quercia sono considerate cancerogene, in modo particolare insieme ad additivi per il trattamento del legname (cromato, protezione per legno). Materiale contenente amianto deve essere lavorato esclusivamente da personale specializzato.

- Utilizzate, se possibile, un sistema di aspirazione delle polveri.
- Provvedere per una buona aerazione del posto di lavoro.
- Si consiglia di portare una mascherina protettiva con classe di filtraggio P2.

Osservare le norme in vigore nel Vostro paese per i materiali da lavorare.

Utilizzare un aspiratore speciale per l'aspirazione di polveri particolarmente nocive per la salute, cancerogene oppure polveri asciutte.

USO

Messa in funzione

- **Osservare la tensione di rete! La tensione della rete deve corrispondere a quella indicata sulla targhetta dell'elettrotensile. Gli elettrotensili con l'indicazione di 230 V possono essere collegati anche alla rete di 220 V.**

Regolazione del modo operativo

Con il selettore del modo operativo (1) (Fig.C) scegliere il modo operativo dell'elettrotensile.

Per modificare il modo operativo premere il tasto di sbloccaggio (2) (Fig.C) e ruotare il selettore del modo operativo 5 nella posizione desiderata fino a quando lo stesso non scatta in posizione in modo percettibile.

Nota bene: Modificare il modo operativo solo quando l'elettrotensile è spento!

In caso contrario l'elettrotensile può subire dei danni.

Accendere/spegnere

Per accendere l'elettrotensile premere l'interruttore di avvio/arresto (7) (Fig.A).

Per bloccare l'interruttore avvio/arresto, tenerlo premuto e premere ulteriormente il tasto di bloccaggio (8).

Per spegnere l'elettrotensile rilasciare l'interruttore di avvio/arresto (7) (Fig. A).

In caso di interruttore di avvio/arresto (7) bloccato, premerlo prima e rilasciarlo poi subito.

Regolazione del numero di giri/numero di colpi

È possibile regolare a variazione continua la velocità/frequenza di colpi dell'elettrotensile in funzione operando con la pressione che si esercita sull'interruttore avvio/arresto (7) (Fig. A). Esercitando una leggera pressione sull'interruttore di avvio/arresto (7) si ha una riduzione della velocità/numero frequenza colpi. Aumentando la pressione si aumenta la velocità/numero frequenza colpi.

Frizione di sicurezza contro il sovraccarico

- **La trasmissione all'alberino filettato si blocca se l'accessorio si inceppa oppure resta bloccato. Per via delle rilevanti forze che si sviluppano mentre si opera in questo modo, afferrare sempre l'elettrotensile con**

entrambe le mani ed assicurarsi una sicura posizione operativa.

- **Se l'elettrotensile si blocca, spegnere l'elettrotensile e sbloccare l'accessorio impiegato. Avviando la macchina con la punta utensile bloccata si provocano alti momenti di reazione!**

Indicazioni operative

MANUTENZIONE ED ASSISTENZA

Servizio di assistenza ed assistenza clienti

Il servizio di assistenza risponde alle Vostre domande relative alla riparazione ed alla manutenzione del Vostro prodotto nonché concernenti le parti di ricambio.

Disegni in vista esplosa ed informazioni relative alle parti di ricambio sono consultabili anche sul sito: www.status-tools.com

Il team assistenza clienti Status è a Vostra disposizione per rispondere alle domande relative all'acquisto, impiego e regolazione di apparecchi ed accessori.

Italia Komby Via Aldo Moro, 14/A 36060 Pianezze (VI)

Tel.: +39 (0424) 281040, Fax: +39 (0424) 281040

Manutenzione e pulizia

- **Prima di qualunque intervento sull'elettrotensile estrarre la spina di rete dalla presa.**
- **Per poter garantire buone e sicure operazioni di lavoro, tenere sempre puliti l'elettrotensile e le prese di ventilazione.**
- **Una protezione antipolvere danneggiata deve essere sostituita immediatamente. Si consiglia di affidare l'operazione ad un Centro di Assistenza Clienti.**

Pulire il portautensili 4 dopo ogni utilizzo.

Se nonostante gli accurati procedimenti di produzione e di controllo l'elettrotensile dovesse guastarsi, la riparazione va fatta effettuare da un punto di assistenza autorizzato per gli elettrotensili Status.

In caso di richieste o di ordinazione di pezzi di ricambio, comunicare sempre il codice prodotto a 8 cifre riportato sulla targhetta di fabbricazione dell'elettrotensile!

Smaltimento

Avviare ad un riciclaggio rispettoso dell'ambiente gli imballaggi, gli elettrotensili e gli accessori dismessi.

Solo per i Paesi della CE:

Non gettare elettrotensili dismessi tra i rifiuti domestici! Conformemente alla norma della direttiva CE 2002/96 sui rifiuti di apparecchiature elettriche ed elettroniche (RAEE) ed all'attuazione del recepimento nel diritto nazionale, gli elettrotensili diventati inservibili devono essere raccolti separatamente ed essere inviati ad una riutilizzazione ecologica.

Con ogni riserva di modifiche tecniche.

НОРМИ ЗА СИГУРНОСТ

Общи предупреждения за опасност при електрически уреди ПРЕДУПРЕЖДЕНИЕ

Прочетете всички предупреждения за опасност и оперативни инструкции. В случай на неспазване на предупрежденията за опасност и оперативните инструкции може да се създаде опасност от токов удар, пожар и/или тежки инциденти.

Запазете всички предупреждения за опасност и оперативни инструкции за бъдещи изисквания

БЕЗОПАСНОСТ НА РАБОТНОТО МЯСТО

- **Поддържайте работното място винаги чисто и добре осветено.** Безредието или пък неосветените зони на работното място могат да станат причина за злополуки.
- **Избягвайте да използвате електрическите уреди в помещения подложени на риск за експлозия, в които има наличие на възпламеняващи се течности, газ или прахове.** Електроуредите произвеждат искри, които могат да възпламенят праха или газа.
- **Дръжте далече деца или други лица по време на използването на електроуред.** Евентуалните отвлечане на вниманието могат да предизвикат загуба на контрол върху електроуред.

ЕЛЕКТРИЧЕСКА БЕЗОПАСНОСТ

- **Дръжте електроинструмента само за изолираните повърхности за захващане когато извършвате операция, при която режещата принадлежност може да допре до скрита ел.инсталация или до собствения шнур.** Допирът на режещата принадлежност до проводник под напрежение ще постави откритите метални части на електроинструмента под напрежение и операторът ще получи токов удар.
- **Щепселът за свързване с електрическата мрежа на електроуред** трябва да бъде подходящ за контакта. Избягвайте абсолютно да правите промени в щепсела. Не използвайте щепсели адаптери заедно с електроуреди, които се заземяват. Непроменените щепсели и подходящите контакти за целта намаляват риска от токов удар.
- **Избягвайте контакт с повърхности, свързани със земята като тръби, отоплителни уреди, електрически печки и хладилници.** Съществува голям риск от токов удар, в момента когато тялото е поставено на маса.
- **Не съхранявайте електроуред на място, където може да вали дъжд или на влажно място.** Проникването на вода в електроуред увеличава риска от токов удар.
- **Не използвайте кабела за различни цели от тези предвидените и особено не го използвайте да пренасяте или да закачате електроуред или пък да измъквате щепсела от контакта на електрическата мрежа.** Не доближавайте кабела до източници на топлина, машинно масло, режещи ръбове нито път до части на машина, която е в движение.

- **Когато се налага да използвате електроуред навън, използвайте само кабели удължители, които са подходящи за използване във външна среда.** Използването на подходящ кабел удължител за външна среда намалява риска от предизвикване на токов удар.
- **Когато не може да се избегне използването на електроуред във влажна среда, използвайте прекъсвач за безопасност.** Използването на прекъсвач за безопасност намалява риска от токов удар.

БЕЗОПАСНОСТ ЗА ХОРА

- **Важно е да се съсредоточите върху това, което правите и работете внимателно с електроуред по време на работната операция.** Никога не използвайте електроуред ако сте уморени или сте под ефекта на дрога, алкохолни напитки и лекарства. Един миг на разсейване по време на използването на електроуред може да бъде причина за тежки злополуки.
- **Обличайте винаги индивидуална предпазна екипировка, както и защитни ръкавици.** Използването на персонално защитно облекло като маска за прахове, безопасни обувки, които не се пързаят, предпазна каска или защитно средство от звукове според вида и приложението на електроуред намалява риска от злополуки.
- **Избягвайте неволното пускане на електроуред.** Преди да бъде свързан със захранващата електрическа мрежа и/или презареждащата се батерия, преди да го вземете или пък преди да започнете да го пренасяте уверете се, че електроуредът не е включен. Държането на пръста върху прекъсвача, докато се пренася електроуред или свързването с електрическата мрежа с включен прекъсвач създава опасни ситуации и може да предизвика сериозни злополуки.
- **Преди да запалите електроуред махнете уредите за регулиране или английския ключ.** Един аксесоар или един ключ, който се намира на въртящата се част на машината може да предизвика сериозни злополуки.
- **Избягвайте неправилна позиция на тялото.** Постарайте се да застанете в сигурна позиция и да пазите равновесие при всяко положение. По този начин е възможно да контролирате по-добре електроуред в случай на неочаквани ситуации.
- **Обличайте подходящи дрехи.** Не се обличайте в широки дрехи, нито пък носете гривни и верижки. Дръжте косата си и дрехите си и ръкавиците си далеч от движещи се части. Широки дрехи, бижута или дълга коса могат да се вмъкнат в движещи се части.
- **Ако случайно е предвидено монтирането на аспиратори на прах или събиране на прах, направете така, че те да бъдат свързани и се използват правилно.** Използването на аспиратор за прах може да доведе до достигане на опасни ситуации, дължащи се на праха.

ПРАВИЛНО ИСПОЛЗВАНЕ НА ЕЛЕКТРОУРЕДИТЕ

- **Не подлагайте машината на свръхнатоварване.** За вашата работа използвайте изключително електроуред изключително предвиден за

2. ИНСТРУКЦИИ ЗА БЕЗОПАСНОСТ ЗА БОРМАШИНИ

случая. С подходящ електроуред се работи по-добре и по-сигурно в областта на неговата способност за дадената услуга.

- **Никога не използвайте електроуреди с дефектни прекъсвачи.** Един електроуред със счупен прекъсвач е опасен и трябва да бъде поправен.
- **Преди да пристъпите до операции по регулиране на машината, преди да подмените някой от аксесоарите, или преди да оставите машината в края на работата винаги изваждайте щепсела от контакта с електрическата мрежа и/или извадете зареждащата се батерия.** Тази предпазна мярка избягва, щото електроуредът може да се задейства неволно.
- **Извършвайте поддръжката на електроуредта, действайки с необходимото старание.** Уверете се, че подвижните части на машината функционират перфектно, и че нищо не им пречи, че няма счупени или повредени части до такава степен, че да ограничат функционирането на електроуредта.
- **Поддържайте режещите инструменти винаги наточени и чисти.** Режещите инструменти поддържани с особено внимание и с наточени режещи части засичат по-рядко и са по-лесни за управление.

ТЕХНИЧЕСКА ПОМОЩ

- **Електроуредът трябва да бъде даден за поправка изключително на специализиран персонал и само ако се използват оригинални резервни части.** По този начин може да бъде запазена безопасността на електроуредта.

ИНСТРУКЦИИ ЗА БЕЗОПАСНОСТ ЗА ЕЛЕКТРИЧЕСКИ БОРМАШИНИ

- Използвайте акустичната защита. Ефектът от шума може да причини загуба на слуха.
- Използвайте допълнителни крайници доставени с електроуредта. Загубата на контрол над електроуредта може да създаде опасност от инциденти.
- С цел да се открият скрити електрически кабели използвайте подходящи уреди или се обърнете към местното електрическо дружество. Контактът с електрически кабели може да причини пожар или електрически удари. Повреждането на газопроводи може да доведе до опасност от експлозии. Пробиването на водопровод може да нанесе значителни щети.
- По време на работа трябва да държите електроуредта с двете ръце и да заемете удобна работна позиция.
- Осигурете предмета за работа. Предметът за работа трябва да бъде закрепен сигурно и в здраво положение, само като се използва съответния уред за закрепване или пък менгеме с винтове, а не да се държи просто с ръка.
- Поддържайте чисто полето на работа. Смеси от материали от различен вид могат да бъдат особено опасни. Прахта от леки метали може да бъде запалима или избухлива.

3. ОПИСАНИЕ ЗА ФУНКЦИОНИРАНЕТО

- Преди да оставите електроуредта изчакайте той да спре напълно. Накрайникът може да предизвика загуба на контрол над уреда.
- Никога не използвайте уред с повреден кабел и изключете от контакта ако кабела се повреди по време на работа. Повредените кабели увеличават риска от токов удар.

ОПИСАНИЕ ЗА ФУНКЦИОНИРАНЕТО

Прочетете всички предупреждения за опасност и оперативните инструкции. В случай на неспазване на предупрежденията за опасност и оперативните инструкции може да се създаде опасност от токов удар, пожари и/или тежки злополуки. Молим ви да отворите страницата, където се намира изобразена схематично машината и я оставете отворена докато се чете наръчника за инструкции за ползване. **Използване в съответствие с нормите MPR31** Електроуредът е идеален за пробиване в бетон, тухли и естествена скала и е подходящ за леко къртене. Подходящ е също за ударно пробиване в дърво, метал, керамика и синтетични материали.

Технически данни

Номинално напрежение (W)	800
Напрежение (V/Hz)	220-240/50-60
Брой обороти при празен ход (Мин ¹)	1200

Брой удари (Мин ¹)	4850
Сила на единичен удар (J)	3
Захващане	SDS - Plus
Максимален диаметър на пробиване в бетон (мм)	26
Тегло съгласно ЕРТА – Процедури 01/2003 (кг)	3
Клас сигурност	II

Техническите характеристики се отнасят до напрежения 220 - 240 V.

В случай на по-ниски напрежения и в случай на специални модели според страната, характеристиките могат да варират.

Молим да вземете под внимание кода на продукта, прикачен на табелка от производителя на вашия електроуред. Търговските описания на отделните електроуреди могат да варират.

ИНФОРМАЦИИ ЗА ШУМ И ВИБРАЦИИТЕ

Стойностите са измерени съгласно EN 60745.

А-претеглено ниво на звуково налягане	L _{pA} - 91 dB(A)
Неопределеност	K _{pA} - 3.0 dB
А-претеглено ниво на звукова мощност	L _{wA} - 102 dB(A)
Неопределеност	K _{wA} - 3.0 dB
Излъчване на вибрации (EN 60745-1)	
Стойност на излъчените вибрации	a _h - 14 m/s ²
Неопределеност	K - 2 m/s ²

и може да бъде използвано, за да се сравняват електроуредите. Същото е годно и за временно оценяване на стреса от вибрациите. Посоченото ниво на вибрациите представлява основните използвания на електроуредите. Когато електроуредите се използват за друго, с различни аксесоари или пък с недостатъчна поддръжка, нивото на вибрацията може да се промени. Това може чувствително да увеличи стреса от вибрациите през целия период на оперативното време.

Забележка: За точно оценяване на стреса от вибрациите, трябва да се вземе предвид и времето, през което апаратът е спрял или е пуснат, но не е използван ефективно. Това може да намали ясно стреса от вибрациите за целия оперативен период. Да се приемат допълнителни мерки за безопасност за предпазване на работещия от ефекта от вибрациите като например: поддръжка на електроуредите и на аксесоарите, топли ръце, организация на извършването на работата.

ИЛЮСТРИРАНИ СЪСТАВНИ ЧАСТИ

Номерирането на илюстрираните съставни части се отнася до илюстрацията на електроуредите, който се намира на страницата с графично представяне.

- | | |
|---|---|
| A | B |
| 1. Бургия | 1. Прекъсвач пускане / спиране |
| 2. Накрайник за дължина | 2. Бутон за блокиране на прекъсвача пускане / спиране |
| 3. Антипрахова защита | C |
| 4. Накрайник за захващане на бургията SDS-plus | 1. Селектор за начина на работа |
| 5. Селектор за оперативния начин | 2. Бутон за блокиране на селектора |
| 6. Поставка за бургии | D |
| 7. Прекъсвач пускане / спиране | 1. Бургия |
| 8. Бутон за блокиране на прекъсвача пускане / спиране | 2. Антипрахова защита |
| 9. Дръжка | E |
| 10. Уплътнител на хранващия кабел | 1. Бургия |
| 11. Място на мотора | 2. Накрайник за захващане на бургията SDS-plus |
| 12. Допълнителна дръжка | |

МОНТАЖ

Монтаж

- Преди за извършване дейности по електроуредите изключете щепсела от електрическата мрежа

Допълнителна дръжка

- Използвайте вашият електроуред само с допълнителната дръжка

Регулиране на допълнителната дръжка

Допълнителната дръжка (12) може да бъде махана и регулирана за да заеме необходимата позиция по време на работа.

Завъртете долната част на допълнителната дръжка (12) по посока обратна на часовниковата стрелка и поставете дръжката в желаната позиция.

Завъртете долната част (12) в посока на часовниковата стрелка.

Регулиране на дълбочината на пробиване

Чрез приспособлението за дълбочина (2) можете да определите дълбочината на пробиване X.

Завъртете по посока обратна на часовниковата стрелка ръчката на допълнителната приставка (12) и поставете приспособлението за дълбочина. Приспособлението за дълбочина (2) трябва да сочи надолу.

Стегнете бургията SDS-plus, като в противен случай дълбочината на пробиване не би била регулирана правилно.

Изтеглете приспособлението за дълбочина докато разстоянието между края му и края на бургията съвпадат с дълбочината на пробиване. След това завъртете по посока на часовниковата стрелка долната ръчка на

допълнителното приспособление така, че да се затегне.

Браздата на приспособлението за дълбочина трябва да сочи нагоре.

Избор на накрайник за бургия и аксесоари

За пробиване, ударно пробиване и разбиване се необходими аксесоари SDS-plus, които се поставят на накрайник SDS-plus.

Подмяна на накрайниците

Антипраховата защита (3) има функция да възпрепятства прахта, която се образува при пробиване. При поставяне на аксесоара внимавайте да не повредите антипраховата защита (3).

Повредената антипрахова защита трябва да бъде сменена незабавно.

Монтаж на аксесоар SDS-plus (Виж фигура D)

Монтажът на бургията SDS-plus е възможен по удобен и лесен начин без допълнителни приспособления.

Поставете самозаклучващия се елемент SDS-plus (4).

Почистете крачето и нанесете тънък слой грес.

Поставете бургията в накрайника като го завъртите докато се затегне.

Проверете като дръпнете бургията.

Системата на аксесоара SDS-plus е мобилна. По този начин има отклонение при въртене на празни обороти. Този факт няма никакво отражение върху точността на пробиване, тъй като центрирането се определя в процеса на пробиване.

Демонтиране на аксесоара SDS-plus (Виж фигура E)

Натиснете накрайника (2) назад и извадете бургията.

Забележка: за да извършите ударно пробиване или разбиване не използвайте никога аксесоари без SDS-plus. Накрайници без SDS-plus система ще бъдат повредени по време на ударното пробиване или разбиване.

Аспириране на прах

- Прах и материали като бои съдържащи олово, някои видове дървесина, минерали и метали могат да бъдат вредни за здравето. Контактът или вдишването на прах могат да причинят алергични реакции и/или заболявания на дихателните пътища на оператора или хората, които се намират в близост.

Определени прахове, като дървесен прах от бук или дъб се считат за канцерогенни, особено ако има добавки към дървесината (бои, лакове). Материали съдържащи азбест трябва да бъдат обработвани изключително от специализиран персонал.

- проветрявайте работното място

- препоръчва се да носите предпазна маска с клас на филтриране P2

Спазвайте нормите на вашата страна за обработване на материали.

УПОТРЕБА**ВКЛЮЧВАНЕ**

- **Наблюдавайте напрежението на мрежата! Напрежението на мрежата трябва да съответства на посоченото на табелката на електроуредата. Електроуредите с индикация 230V могат да бъдат свързани с мрежа 220V.**

Регулиране по оперативен начин

Със селектора за оперативния начин (1) (фигура С) изберете оперативния начин на електроуредата.

За да промените оперативния начин натиснете бутон за разблокиране (2) (Фиг.С) и завъртете регулатора за оперативния начин в желаната позиция
Забележка: променете оперативния начин когато електроуредата е спрян! В противен случай той може да се повреди.

Пускане/спиране

За пускане на електроуредата натиснете прекъсвача за пускане/спиране (1) (Фиг. В) и го дръжте натиснат. За да фиксирате в позиция прекъсвача за пускане/спиране натиснете копче за блокиране (2).

За да изключите електроуредата натиснете отново прекъсвача за пускане/спиране (1) (Фиг. В) или ако е блокиран с бутон за блокиране натиснете за кратко прекъсвача за пускане/спиране и го отпуснете отново.

Регулиране на броя на оборотите / честота на ударите

Възможно е да се регулира скоростта / честотата на ударите на електроуредата според натиска, който се оказва на прекъсвача за пускане / спиране (7) (Фиг. А).

С лек натиск на прекъсвача за пускане / спиране (7) се намалява скоростта / честотата на ударите. С увеличаване на налягането се увеличава честотата на ударите.

ПОДДРЪЖКА И ПОЧИСТВАНЕ

- **Преди за извършване дейности по електроуредата изключете щепсела от електрическата мрежа**
- **За да можете да гарантирате добри и сигурни работни операции, дръжте винаги чисти електроуредата и контактите за вентилация**
- **Повредената антипрахова защита трябва да се смени веднага. Препоръчваме ви да се обърнете към центъра за обслужване на клиенти.**

Почиствайте крайниците 4 при всяка употреба. Ако въпреки грижливите процедури на производство и контрол електроуредът се повреди, поправката му ще бъде извършена от оторизиран пункт за техническа помощ за електроуреди Status. В случай на искане или на поръчване на резервни части, съобщавайте винаги кода на продукта с 8 цифри, прикачен на табелка от производителя на уреда.

ИЗХВЪРЛЯНЕ

Изпратете за предпазващо околната среда рециклиране вече неизползваемите опаковки, електроуреди и аксесоари.

ДЕКЛАРАЦИЯ ЗА СЪОТВЕТСТВИЕ

STATUS ITALIA S.R.L. декларира, че този продукт с търговска марка STATUS: Перфоратор MPR31 е произведен в съответствие със следните директиви на ЕС: Директива за машини: 2006/42/ЕС.

А също така отговаря на следните стандарти:

EN 60745-1:2009/A11:2010, EN 60745-2-6:2010, EN 55014-1:2006/A2:2011, EN 55014-2:1997/A2:2008, EN 61000-3-2:2014, EN 61000-3-3:2013.

Техническата документация се съхранява при производителя:

STATUS ITALIA S.R.L., Виа Алдо Моро, 14 / А, 36 060 - Pianezze (VI), ИТАЛИЯ



Карон Джиасинто
Директор
STATUS ITALIA S.R.L.

Дистрибутор на територията на България:

Спринтер ЕООД.

Адрес по регистрация: България, гр. София 1000, бул. Христо Ботев 28, ет. 7.

Адрес за кореспонденция: България, гр. София 1303,

бул. Тодор Александров №28, магазин №4.

Уебсайт: www.status-tools.com

E-mail: office@status-tools.eu

Тел. 02 870 51 98

ОСНОВНЫЕ ТРЕБОВАНИЯ БЕЗОПАСНОСТИ



ВНИМАНИЕ !

Внимательно ознакомьтесь с требованиями инструкции по безопасности. Не соблюдение требований данной инструкции может привести к поражению электрическим током, пожару или травмам.

РАБОЧЕЕ МЕСТО

- Содержите рабочее место чистым и свободным от посторонних предметов.
- Рабочее место должно быть хорошо освещено во избежание несчастных случаев.
- Не используйте изделие для работы во взрывоопасной атмосфере и вблизи от легковоспламеняющихся жидкостей. Электродвигатель изделия при работе искрит, и это может стать причиной пожара.
- Во время работы не допускайте посторонних и детей к рабочему месту.

ЭЛЕКТРОБЕЗОПАСНОСТЬ

- При работе держите изделие только за изолированные рукоятки и части корпуса. Это позволит Вам избежать поражения током если оснастка случайно повредит скрытую проводку или силовой кабель.
- Сетевая розетка должна соответствовать штепсельной вилке, установленной на сетевом кабеле изделия. Запрещается внесение изменений в конструкцию вилки и использование любых переходников.
- Во время работы избегайте контакта с заземленными предметами: водопроводными трубами, радиаторами отопления и т.д. При контакте с заземленными предметами значительно возрастает риск поражения электрическим током.
- Предохраняйте изделие от воздействия воды и повышенной влажности. Попадание воды внутрь изделия может привести к поражению электрическим током.
- Берегите сетевую кабель изделия. Не используйте кабель для переноски изделия, не тяните за кабель чтобы выключить изделие. Располагайте кабель во время работы вдали от источников тепла, подвижных частей изделия и предметов с острыми краями. Поврежденный кабель может стать причиной поражения электрическим током.
- При работе изделием вне помещения применяйте удлинитель, специально предназначенный для эксплуатации на открытом воздухе.
- Параметры сети для подключения изделия должны соответствовать параметрам указанным на маркировочной табличке изделия.

ЛИЧНАЯ БЕЗОПАСНОСТЬ

- Не работайте изделием в состоянии алкогольного или наркотического опьянения, под воздействием лекарств и в болезненном состоянии. Кратковременная потеря контроля над изделием во время работы может стать причиной серьезной травмы.
 - Всегда применяйте средства индивидуальной защиты и защитные очки. К средствам индивидуальной защиты относятся: респиратор, нескользящая обувь и шумозащитные наушники. Применение средств защиты сделает работу более комфортной и безопасной.
 - Внимательно следите за тем, чтобы при включении изделия в сеть, клавиша выключателя не была зафиксирована во включенном положении. Это поможет избежать случайного включения изделия.
 - Следите за тем, чтобы перед включением изделия из него были удалены регулировочные инструменты, отвертки и т.п. Попадание инструмента в подвижные части изделия при включении может стать причиной травмы и привести к выходу изделия из строя.
 - При работе занимайте устойчивое положение. Всегда стойте на устойчивой опоре. Потеря равновесия во время работы может стать причиной серьезной травмы.
 - Не одевайте для работы излишне свободную одежду. Перед началом работы снимите ювелирные украшения. Если у Вас длинные волосы, спрячьте их под головной убор. Попадание краев одежды, ювелирных изделий и волос в движущиеся части изделия может привести к травме.
 - Если в изделии предусмотрено подключение пылесоса обязательно подключите его перед работой. Эффективное удаление пыли из рабочей зоны сделает работу более удобной и сохранит Ваше здоровье.
- ### БЕЗОПАСНОЕ ИСПОЛЬЗОВАНИЕ И ХРАНЕНИЕ ИЗДЕЛИЯ
- Не перегружайте изделие. Для каждого вида работ используйте только тот тип инструмента или оснастки, который для этого предназначен.
 - Не используйте изделие с неисправным выключателем. Если выключатель работает нечетко, и включение/выключение изделия затруднено, выключатель подлежит немедленной замене.
 - Всегда отключайте изделия от сети перед тем как отрегулировать изделие или поменять оснастку. Это поможет избежать случайного включения изделия во время работ по его обслуживанию.
 - Храните изделие в месте, недоступном детям и лицам не имеющим навыков работы с изделием. Лицо, ранее не работавшее таким типом инструмента обязано перед началом работы внимательно прочитать эту инструкцию полностью.
 - Перед началом работы внимательно проверяйте состояние изделия: легкость перемещения подвижных частей, отсутствие

2. СПЕЦИАЛЬНЫЕ ТРЕБОВАНИЯ БЕЗОПАСНОСТИ

повреждений корпусных деталей и оснастки.

Любая поврежденная часть изделия или оснастки должна быть заменена перед началом работы.

- **Содержите режущую оснастку в чистом виде, хорошо заточенной и смазанной.**
- **Используйте инструмент и оснастку только для производства тех видов работ, которые предусмотрены в инструкции по эксплуатации данного изделия.** Использование изделия не по прямому назначению может привести к его поломке и травмам.

СЕРВИСНОЕ ОБСЛУЖИВАНИЕ

- **Ремонт изделия должен осуществляться в авторизованном сервисном центре, квалифицированным персоналом и с использованием только оригинальных запасных частей.**

СПЕЦИАЛЬНЫЕ ТРЕБОВАНИЯ БЕЗОПАСНОСТИ

- **При работе удерживайте изделие за переднюю и заднюю рукоятки, изготовленные из пластмассы, и не проводящие ток, это позволит вам избежать электротравмы в случае попадания бора в скрытую проводку.** Перед началом работы определите при помощи специального прибора места, где в стене проходит скрытая проводка, отметьте эти места и не производите в этой зоне никаких работ.
- **Всегда применяйте шумозащитные наушники при длительной работе изделием.** Не работайте изделием со снятой передней рукояткой.
- **Всегда одевайте защитные очки чтобы предохранить глаза от пыли и осколков материала, образующихся во время работы.** При работе с материалами, образующими большое количество пыли применяйте защитный респиратор.
- **При работе изделием используйте толстые, нескользящие перчатки.** Использование перчаток позволяет более надежно контролировать изделие во время работы, и снижает воздействие вибрации.
- **Никогда не отключайте изделие от сети вынув вилку из розетки, если при этом клавиша выключателя зафиксирована в положении “ВКЛ”.** При повторном подключении к сети возможно неконтролируемое включение изделия.
- **Располагайте сетевой шнур во время работы вдали от вращающихся частей изделия.** Не оборачивайте во время работы сетевой шнур вокруг рук или туловища.
- **Надежно контролируйте изделие во время работы обеими руками.**
- **Не используйте кнопку фиксации выключателя во включенном положении при работе в материалах, где существует опасность заклинивания бора (наличие в материале арматуры, пустот или инородных включений).** При заклинивании бора может произойти проворот изделия в противоположную направлению вращения бора сторону, и Вы потеряете контроль над изделием.

3. ОПИСАНИЕ ИЗДЕЛИЯ

4. РАБОТА

- **В случае если кнопка фиксации выключателя во включенном положении нажата, располагайте руку на задней рукоятке так, чтобы в случае возникновения опасной ситуации вы могли быстро нажать на клавишу выключателя и отключить изделие.**
- **Перед началом работы проверяйте затяжку винтов корпусных деталей.** Вибрации, возникающие во время работы могут ослабить крепления винтов.
- **После длительного хранения или работы при низких температурах возможно сгущение смазки.** Восстановление эффективной работы изделия происходит после кратковременного прогрева изделия работой на холостом ходу.
- **В процессе работы оснастка (буры и т.д) может сильно нагреваться.** Перед операцией по замене оснастки дайте ей возможность остыть.

ОПИСАНИЕ ИЗДЕЛИЯ

- A**
1. Бур
 2. Линейка ограничения глубины сверления
 3. Пылезащитная насадка
 4. Кольцо фиксатора муфты
 5. Переключатель режимов
 6. Корпус редуктора
 7. Клавиша выключателя
 8. Фиксатор клавиши выключателя
 9. Задняя рукоятка
 10. Защитная трубка сетевого шнура
 11. Корпус двигателя
 12. Передняя рукоятка
- B**
1. Клавиша выключателя
 2. Фиксатор клавиши выключателя
- C**
1. Рукоятка переключения режимов
 2. Кнопка фиксатора переключателя режимов
- D**
1. Бур
 2. Пылезащитная насадка
 3. Кольцо фиксатора муфты
- E**
1. Бур
 2. Кольцо фиксатора муфты

РАБОТА



ВНИМАНИЕ !

Перед проведением работ по замене оснастки, регулировке или чистки изделия обязательно отключите его от сети.

ВКЛЮЧЕНИЕ И ВЫКЛЮЧЕНИЕ ИЗДЕЛИЯ (См. Рис. В)

- Перед включением изделия в сеть, убедитесь, что вилка сетевого шнура изделия соответствует розетке, и что выключатель изделия находится в выключенном положении.
- Для включения изделия нажмите клавишу выключателя (1).
Для фиксации клавиши во включенном положении нажмите фиксатор (3).
- Для выключения изделия отпустите клавишу (1).
Если фиксатор (2) будет находиться в нажатом положении, фиксируя клавишу (1), изделие отключается легким нажатием на клавишу (1).

ВЫБОР РЕЖИМА РАБОТЫ (См. Рис. С)

- Данное изделие имеет 3 режима работы:
 - сверление - для сверления отверстий в металле, дереве, пластике. Данный режим обозначен символом
 - ударное сверление - для сверления отверстий в бетоне, камне и кирпиче. Данный режим обозначен символом
 - долбление - для выполнения канавок в бетонных и кирпичных стенах и разбивных работ. Данный режим обозначен символом
 - настройка долота. Долото ставится в нужное положение и фиксируется. Данная позиция обозначена символом
- Для выбора необходимого Вам режима работы нажмите кнопку блокировки (2) и поверните переключатель (1) в нужное положение.

ВНИМАНИЕ !

- Во избежание повреждения механизма переключения режимов работы производите переключение только при полной остановке вращения двигателя и редуктора.
- Перед включением изделия убедитесь, что переключатель режимов находится в выбранном Вами положении. Переключатель не должен находиться в промежуточном положении (между двумя фиксированными позициями). Включение изделия с установленным в промежуточное положение переключателем может привести к выходу его из строя.
- Перед началом работы установите рукоятку в удобное для Вас положение. Для этого вращая рукоятку (12) против часовой стрелки ослабьте натяжку кольца рукоятки и поверните рукоятку на нужный вам угол. Затяните кольцо вращением рукоятки (12) по часовой стрелке.
- Установка глубины сверления.
Отверните рукоятку (12) на несколько оборотов против часовой стрелки. Перемещая линейку (2) в отверстии кольца установите необходимую Вам глубину сверления (она равна разнице между концом бура и концом линейки ограничителя). Затяните кольцо вращая ручку (12) по часовой стрелке.

УСТАНОВКА И УДАЛЕНИЕ ОСНАСТКИ (См. Рис. D, E)

- Очистите хвостовик бура или долота, и нанесите на него несколько капель специальной смазки.

- Вставьте хвостовик бура (1) (Рис. D) до упора в отверстие пылезащитной накладки (2) (в случае, если бур не вставляется в муфту до упора, слегка поверните бур в муфте в любую сторону), бур должен зафиксироваться в муфте.
- Для извлечения бура, нажатием на кольцо (2) (Рис. E) опустите его вниз, и извлеките хвостовик из муфты.

ВНИМАНИЕ !

- Перед началом работы проверяйте правильность установки оснастки, она не должна свободно извлекаться из муфты при не нажатом кольце (2). Если это происходит, муфта крепления оснастки подлежит немедленному ремонту.

УХОД И ОБСЛУЖИВАНИЕ

ВНИМАНИЕ ! Использование при ремонте изделия запасных частей других производителей может привести к выходу изделия из строя и серьезным травмам. Только использование оригинальных запасных частей, установленных в авторизованном сервисном центре гарантирует надежную и безопасную работу изделия.

СМАЗКА ИЗДЕЛИЯ И ЗАМЕНА УГОЛЬНЫХ ЩЕТОК

- Изделие не требует ежедневной смазки. Применяемая в изделии система смазки позволяет производить смазку механизма редуктора каждый раз по истечении срока службы угольных щеток. Процедура замены щеток и смазки редуктора совмещены по времени.

ВНИМАНИЕ ! Контроль состояния щеток и их замена проводятся в авторизованном сервисном центре. Щетки заменяются комплектом из 2-х штук и только рекомендованного Изготовителем типа.

ЧИСТКА ИЗДЕЛИЯ

- Перед работами по чистке и обслуживанию изделия обязательно отключите его от сети.
- Наиболее эффективной является продувка изделия сжатым воздухом.
- **ВНИМАНИЕ !** Перед продувкой изделия сжатым воздухом обязательно оденьте защитные очки.
- Особое внимание уделяйте удалению загрязнений из вентиляционных отверстий корпуса двигателя и из зазора между деталями задней рукоятки и клавишей выключателя.
- **ВНИМАНИЕ !** Не применяйте для чистки корпусных деталей бензин и растворители. Они могут повредить пластмассовые части изделия, что может вывести его из строя.
- **ВНИМАНИЕ !** Попадание воды или моющего средства внутрь изделия может привести к выходу его из строя.

ТЕХНИЧЕСКИЕ ХАРАКТЕРИСТИКИ

Потребляемая мощность	800 Вт
Напряжение и частота тока	220-240 В~/50-60Гц
Число оборотов на холостом ходу	1200/мин
Частота ударов без нагрузки	4850/мин
Энергия удара	3 Дж
Крепление оснастки	SDS+
Диаметр сверления в бетоне	
- бур	26 мм
- коронка	52 мм
Вес	3кг

Информация о шуме и вибрациях

Излучение шума (значения замерялись в соответствии с EN 60745):

A-взвешенный уровень звукового давления L_{pA} - 91 дБ(A), K_{pA} - 3.0 дБ

A-взвешенный уровень звуковой мощности L_{WA} - 102 дБ(A), K_{WA} - 3.0 дБ

Используйте средства защиты от шума!

Излучение вибраций (измерен в соответствии с т. 6.2.7 EN 60745-1):

суммарные значения вибраций (векторная сумма трех направлений)

определенные в соответствии с EN 60745

Величина вибрации a_h - 14 м/с², K - 1,5 м/с²

КОМПЛЕКТАЦИЯ

Перфоратор MPR31, рукоятка передняя, линейка ограничителя глубины сверления, инструкция, пластмассовый чемодан

ДЕКЛАРАЦИИ СООТВЕТСТВИЯ

STATUS ITALIA S.R.L. заявляет, что изделие торговой марки STATUS:

Перфоратор MPR31 изготовлен в соответствии со следующими директивами:

Machine Directives: 2006/42/EC.

А так же соответствуют нижеперечисленным стандартам:

EN 60745-1:2009/A11:2010, EN 60745-2-6:2010, EN 55014-1:2006/A2:2011,

EN 55014-2:1997/A2:2008, EN 61000-3-2:2014, EN 61000-3-3:2013.

Техническая документация хранится у производителя: STATUS ITALIA S.R.L.,
via Aldo Moro, 14/A, 36060 - Pianezze (VI), ITALY


Карон Джиасинто
Директор
STATUS ITALIA S.R.L.

Изделие соответствует требованиям следующих технических регламентов

Таможенного Союза: ТР ТС 004/2011, ТР ТС 010/2011, ТР ТС 020/2011.

Информация о сертификате находится на сайте www.status-tools.com.

Представитель в России:

ООО «ИНСТАТУС», 105005, г. Москва, ул.Бауманская, д.7.