



STATUS®

ENG **ANGLE GRINDER**

Original instructions

DE **WINKELSCHLEIFER**

Originalbetriebsanleitung

IT **SMERIGLIATRICE ANGOLARE**

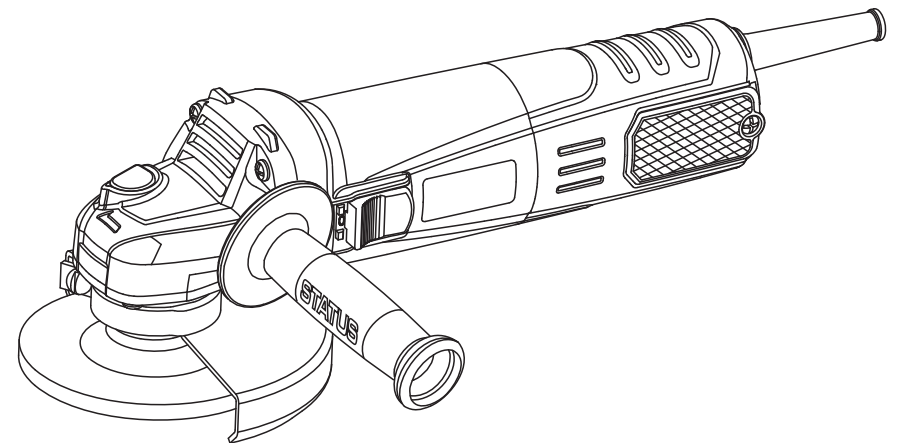
Istruzioni originali

BG **ЪГЛОШЛИФОВЪЧНА МАШИНА**

Оригинална инструкция за използване

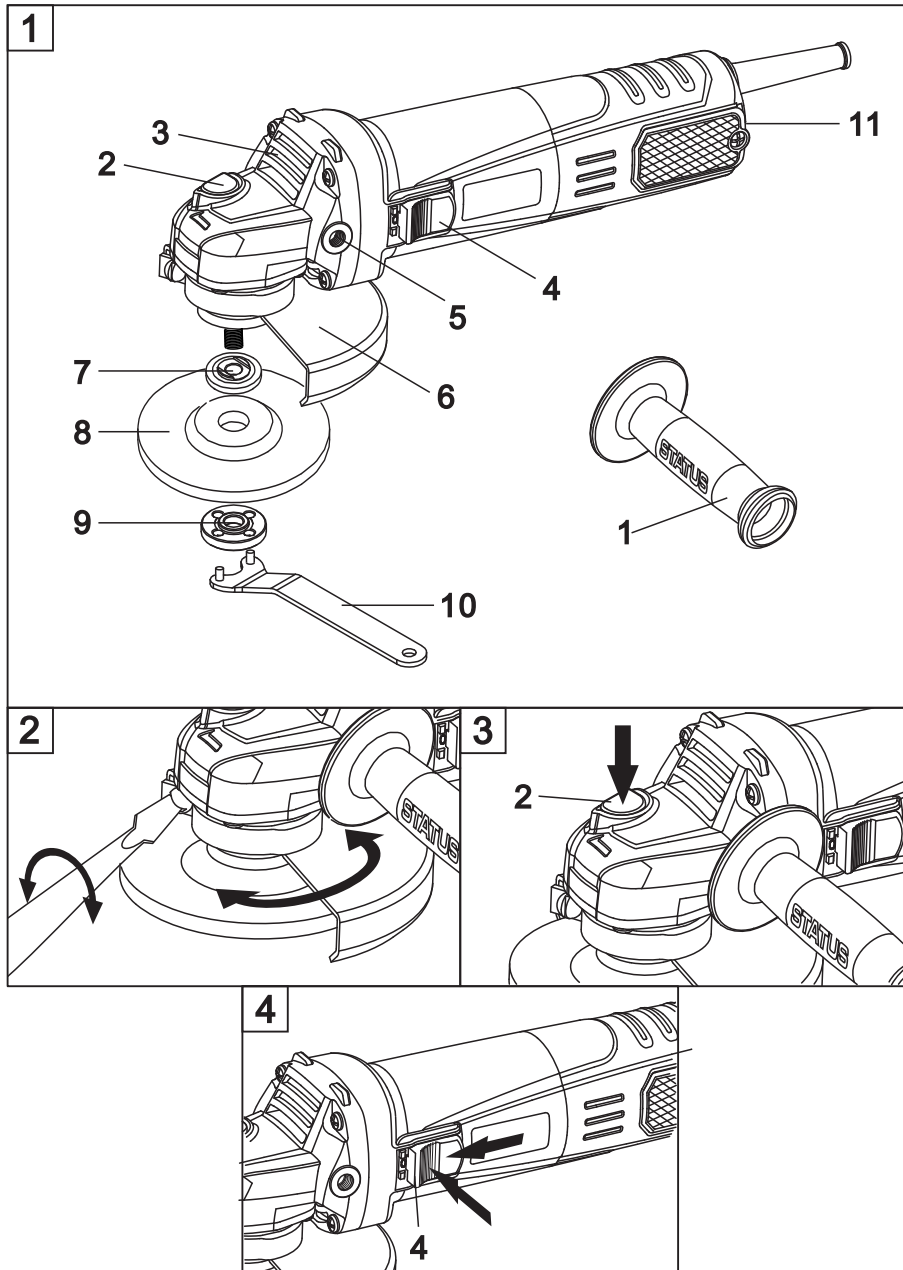
RU **УГЛОШЛИФОВАЛЬНАЯ МАШИНА**

Оригинальная инструкция по эксплуатации



SH115L / SH125L / SH125SF





GENERAL POWER TOOL SAFETY WARNINGS



WARNING!

Read all safety warnings and all instructions. Failure to follow the warnings and instructions may result in electric shock, fire and /or serious injury.

Save all warnings and instructions for future reference.

The term "power tool" in the warnings refers to your mains-operated (corded) power tool or battery-operated (cordless) power tool.

1) Work area safety

- a) **Keep work area clean and well lit.** Cluttered or dark areas invite accidents.
- b) **Do not operate power tools in explosive atmospheres, such as in the presence of flammable liquids, gases or dust.** Power tools create sparks which may ignite the dust or fumes.
- c) **Keep children and bystanders away while operating a power tool.** Distractions can cause you to lose control.

2) Electrical safety

- a) **Power tool plugs must match the outlet. Never modify the plug in any way. Do not use any adapter plugs with earthed (grounded) power tools.** Unmodified plugs and matching outlets will reduce risk of electric shock..
- b) **Avoid body contact with earthed or grounded surfaces such as pipes, radiators, ranges and refrigerators.** There is an increased risk of electric shock if your body is earthed or grounded.
- c) **Do not expose power tools to rain or wet conditions.** Water entering a power tool will increase the risk of electric shock.
- d) **Do not abuse the cord. Never use the cord for carrying, pulling or unplugging the power tool. Keep cord away from heat, oil, sharp edges or moving parts.** Damaged or entangled cords increase the risk of electric shock.
- e) **When operating a power tool outdoors, use an extension cord suitable for outdoor use.** Use of a cord suitable for outdoor use reduces the risk of electric shock.
- f) **If operating a power tool in a damp location is unavoidable, use a residual current device (RCD) protected supply.** Use of an RCD reduces the risk of electric shock.

3) Personal safety

- a) **Stay alert, watch what you are doing and use common sense when operating a power tool. Do not use a power tool while you are tired or under the influence of drugs, alcohol or medication.** A moment of inattention while operating power tools may result in serious personal injury.

1. GENERAL POWER TOOL SAFETY WARNINGS

- b) **Use personal protective equipment. Always wear eye protection.**
Protective equipment such as dust mask, non-skid safety shoes, hard hat, or hearing protection used for appropriate conditions will reduce personal injuries.
- c) **Prevent unintentional starting. Ensure the switch is in the off-position before connecting to power source and /or battery pack, picking up or carrying the tool.** Carrying power tools with your finger on the switch or energising power tools that have the switch on invites accidents.
- d) **Remove any adjusting key or wrench before turning the power tool on.** A wrench or a key left attached to a rotating part of the power tool may result in personal injury.
- e) **Do not overreach. Keep proper footing and balance at all times.**
This enables better control of the power tool in unexpected situations.
- f) **Dress properly. Do not wear loose clothing or jewellery. Keep your hair, clothing and gloves away from moving parts.** Loose clothes, jewellery or long hair can be caught in moving parts.
- g) **If devices are provided for the connection of dust extraction and collection facilities, ensure these are connected and properly used.**

4) Power tool use and care

- a) **Do not force the power tool. Use the correct power tool for your application.** The correct power tool will do the job better and safer at the rate for which it was designed.
- b) **Do not use the power tool if the switch does not turn it on and off.**
Any power tool that cannot be controlled with the switch is dangerous and must be repaired.
- c) **Disconnect the plug from the power source and/or the battery pack from the power tool before making any adjustments, changing accessories, or storing power tools.** Such preventive safety measures reduce the risk of starting the power tool accidentally.
- d) **Store idle power tools out of the reach of children and do not allow persons unfamiliar with the power tool or these instructions to operate the power tool.** Power tools are dangerous in the hands of untrained users.
- e) **Maintain power tools. Check for misalignment or binding of moving parts, breakage of parts and any other condition that may affect the power tool's operation. If damaged, have the power tool repaired before use.** Many accidents are caused by poorly maintained power tools.
- f) **Keep cutting tools sharp and clean.** Properly maintained cutting tools with sharp cutting edges are less likely to bind and are easier to control.
- g) **Use the power tool, accessories and tool bits etc. in accordance with these instructions.** Use of the power tool for operations different from those intended could result in a hazardous situation.

2. SAFETY INSTRUCTIONS FOR ANGLE GRINDERS

SAFETY INSTRUCTIONS FOR ANGLE GRINDERS

1) SAFETY INSTRUCTIONS FOR ALL OPERATIONS

- a) **This power tool is intended to function as a grinder, sander, wire brush, polisher or cut-off tool. Read all safety warnings, instructions, illustrations and specifications provided with this power tool.** Failure to follow all instructions listed below may result in electric shock, fire and/or serious injury.
- b) **Operations such as grinding, sanding, wire brushing, polishing or cutting-off are not recommended to be performed with this power tool.** Operations for which the power tool was not designed may create a hazard and cause personal injury.
NOTE: List only those operations that were not included in the first warning. If all listed operations are recommended, then this warning may be omitted but all subsequent warnings must be given without an exclusion.
- c) **Do not use accessories which are not specifically designed and recommended by the tool manufacturer.** Just because the accessory can be attached to your power tool, it does not assure safe operation.
- d) **The rated speed of the accessory must be at least equal to the maximum speed marked on the power tool.** Accessories running faster than their rated speed can break and fly apart.
- e) **The outside diameter and the thickness of your accessory must be within the capacity rating of your power tool.** Incorrectly sized accessories cannot be adequately guarded or controlled.
- f) **The arbour size of wheels, flanges, backing pads or any other accessory must properly fit the spindle of the power tool.**
Accessories with arbour holes that do not match the mounting hardware of the power tool will run out of balance, vibrate excessively and may cause loss of control.
- g) **Do not use a damaged accessory. Before each use inspect the accessory such as abrasive wheels for chips and cracks, backing pad for cracks, tear or excess wear, wire brush for chips and cracks, backing pad for cracks, tear or excess wear, wire brush for loose or cracked wires. If power tool or accessory is dropped, inspect for damage or install an undamaged accessory. After inspecting and installing an accessory, position yourself and bystanders away from the plane of the rotating accessory and run the power tool at maximum no-load speed for one minute.**
Damaged accessories will normally break apart during this test time.
- h) **Wear personal protective equipment. Depending on application, use face shield, safety goggles or safety glasses. As appropriate, wear dust mask, hearing protectors, gloves and workshop apron capable of stopping small abrasive or workpiece fragments.**

2. SAFETY INSTRUCTIONS FOR ANGLE GRINDERS

The eye protection must be capable of stopping flying debris generated by various operations. The dust mask or respirator must be capable of filtering particles generated by your operation. Prolonged exposure to high intensity noise may cause hearing loss.

- i) **Keep bystanders a safe distance away from work area. Anyone entering the work area must wear personal protective equipment.** Fragments of workpiece or a broken accessory may fly away and cause injury beyond immediate area of operation.
 - j) **Hold power tool by insulated gripping surfaces only, when performing an operation where the cutting accessory may contact hidden wiring or its own cord.** Cutting accessory contacting a "live" wire may make exposed metal parts of the power tool "live" and shock the operator.
- NOTE:** The above warning may be omitted if the only recommended operation.
- k) **Position the cord clear of the spinning accessory.** If you lose control, the cord may be cut or snagged and your hand or arm may be pulled into the spinning accessory.
 - l) **Never lay the power tool down until the accessory has come to a complete stop.** The spinning accessory may grab the surface and pull the power tool out of your control.
 - m) **Do not run the power tool while carrying it at your side.** Accidental contact with the spinning accessory could snag your clothing, pulling the accessory into your body.
 - n) **Regularly clean the power tool's air vents.** The motor's fan will draw the dust inside the housing and excessive accumulation of powdered metal may cause electrical hazards.
 - o) **Do not operate the power tool near flammable materials.** Sparks could ignite these materials.
 - p) **Do not use accessories that require liquid coolants.** Using water or other liquid coolants may result in electrocution or shock.

NOTE: The above warning does not apply for power tools specifically designed for use with a liquid system.

2) FURTHER SAFETY INSTRUCTIONS FOR ALL OPERATIONS

Kickback and Related Warnings

Kickback is a sudden reaction to a pinched or snagged rotating wheel, backing pad, brush or any other accessory. Pinching or snagging causes rapid stalling of the rotating accessory which in turn causes the uncontrolled power tool to be forced in the direction opposite of the accessory's rotation at the point of the binding.

For example, if an abrasive wheel is snagged or pinched by the workpiece, the edge of the wheel that is entering into the pinch point can dig into the

2. SAFETY INSTRUCTIONS FOR ANGLE GRINDERS

surface of the material causing the wheel to climb out or kick out. The wheel may either jump toward or away from the operator, depending on direction of the wheel's movement at the point of pinching.

Abrasive wheels may also break under these conditions.

Kickback is the result of power tool misuse and /or incorrect operating procedures or conditions and can be avoided by taking proper precautions as given below.

- a) **Maintain a firm grip on the power tool and position your body and arm to allow you to resist kickback forces. Always use auxiliary handle, if provided, for maximum control over kickback or torque reaction during start-up.** The operator can control torque reactions or kickback forces, if proper precautions are taken.
- b) **Never place your hand near the rotating accessory.** Accessory may kickback over your hand.
- c) **Do not position your body in the area where power tool will move if kickback occurs.** Kickback will propel the tool in direction opposite to wheel's movement at the point of snagging.
- d) **Use special care when working corners, sharp edges etc. Avoid bouncing and snagging the accessory.** Corners, sharp edges or bouncing have a tendency to snag the rotating accessory and cause loss of control or kickback.
- e) **Do not attach a saw chain woodcarving blade or toothed saw blade.** Such blades create frequent kickback and loss of control.

3) ADDITIONAL SAFETY INSTRUCTIONS FOR GRINDING AND CUTTING-OFF OPERATIONS

Safety Warnings Specific for Grinding and Abrasive Cutting-Off Operations:

- a) **Use only wheel types that are recommended for your power tool and the specific guard designed for the selected wheel.** Wheels for which the power tool was not designed cannot be adequately guarded and are unsafe.
- b) **The guard must be securely attached to the power tool and positioned for maximum safety, so the least amount of wheel is exposed towards the operator.** The guard helps to protect operator from broken wheel fragments and accidental contact with wheel.
- c) **Wheels must be used only for recommended applications. For example: do not grind with the side of cut-off wheel.** Abrasive cut-off wheels are intended for peripheral grinding, side forces applied to these wheels may cause them to shatter.
- d) **Always use undamaged wheel flanges that are of correct size and shape for your selected wheel.** Proper wheel flanges support the wheel thus reducing the possibility of wheel breakage. Flanges for cut-off wheels may be different from grinding wheel flanges.

2. SAFETY INSTRUCTIONS FOR ANGLE GRINDERS

e) **Do not use worn down wheels from larger power tools** . Wheel intended for larger power tool is not suitable for the higher speed of a smaller tool and may burst.

Additional Safety Warnings Specific for Abrasive Cutting-off Operations:

- a) **Do not “jam” the cut-off wheel or apply excessive pressure .Do not attempt to make an excessive depth of cut.** Overstressing the wheel increases the loading and susceptibility to twisting or binding of the wheel in the cut and the possibility of kickback or wheel breakage.
- b) **Do not position your body in line with and behind the rotating wheel.** When the wheel, at the point of operation, is moving away from your body , the possible kickback may propel the spinning wheel and the power tool directly at you .
- c) **When wheel is binding or when interrupting a cut for any reason, switch off the power tool and hold the power tool motionless until the wheel comes to a complete stop. Never attempt to remove the cut-off wheel from the cut while the wheel is in motion otherwise kickback may occur.** Investigate and take corrective action to eliminate the cause of wheel binding.
- d) **Do not restart the cutting operation in the workpiece . Let the wheel reach full speed and carefully the cut.** The wheel may bind, walk up or kickback if the power tool is restarted in the workpiece.
- e) **Support panels or any oversized workpiece to minimize the of wheel pinching and kickback.** Large workpieces tend to sag under their own weight. Supports must be placed under the workpiece near the line of cut and near the edge of the workpiece on both sides of the wheel.
- f) **Use extra caution when making a “pocket cut ” into existing walls or other blind areas** . The protruding wheel may cut gas or water pipes, electrical wiring or objects that can cause kickback.

INTRODUCTION

This tool is intended for grinding, cutting and de burring metal materials without the use of water.

Do not apply pressure on the tool; let the speed of the cutting disc do the work Cutting operations with bonded abrasive cut-off wheels are only allowed when a cut-off guard is used.

READ AND SAVE THIS INSTRUCTION MANUAL

3. FUNCTIONAL DESCRIPTION 4. ASSEMBLY

FUNCTIONAL DESCRIPTION

This angle grinder has been designed for industrial grinding and cutting applications. Please refer to Figure 1 to familiarize yourself with the major

- | | |
|-----------------------------------|--|
| 1. Auxiliary handle | 10. Spanner |
| 2. Spindle lock button | 11. Variable speed with dial setting (SH125SF) |
| 3. Ventilation slots | |
| 4. On/off switch trigger | |
| 5. Threads (for auxiliary handle) | |
| 6. Grinding guard | |
| 7. Inner flange | |
| 8. Grinding disc | |
| 9. Outer flange | |

ASSEMBLY

Always unplug the tool before assembly and adjustment.

WHEEL GUARD INSTALLATION (Fig. 2)



WARNING! The product is equipped with a protective casing, designed for grinding discs. For work cutting disc must purchase and install the product on a special closed on both sides housing, appropriate safety standards EN 60745 - 2 - 3.

Operation of the unit with removed protective cover is strictly prohibited! Before starting work, check the reliability of fixing guard.

The position of the guard can be adjusted to accommodate the operation being performed. **To attach wheel guard DISCONNECT tool from power source.**

TO INSTALLATION GUARD:

Please aim the convex end of the wheel guard to the slot mouth of the front cover, and then rotate the guard body to 180 degree, finally tighten the fastening screw.

TO REMOVE GUARD:

Loosen the fixing screw, rotate the cover 180 degrees and remove from the front cover.

INSTALL THE GRINDING WHEEL (Fig. 1 - 3)

1. Place the inner flange (7) over the spindle making sure the fit is tight.
2. Place the grinding or cutting disc on the top of the inner flange ensuring the bore fits into the step of the flange.
3. Mount the concave recess side of the outer flange (9) over the spindle.
4. Press the spindle locking button (2) firm and ensure there is no movement in the spindle. Then while the spindle lock is depressed tighten the outer flange in a clockwise direction using the spanner (See Fig.3).

Allow the angle grinder to run in idle for least a minute with the grinding or cutting disc correctly assembled, vibration disc should be immediately replaced.

5. OPERATION INSTRUCTION

OPERATION INSTRUCTION

Note:

This angle grinder can be used for grinding and cutting steel, stone or ceramic workpieces such as pipe, box section, rectangular, angle iron steel bar, house bricks and tiles. Do not attempt to grind wood or a soft metal such as lead. The material will quickly "fill" the disc and render it useless.

Before starting the grinder first ensure that the disc, disc guard and tool are in good condition. Position the guard so that it will deflect hot sparks away from the operator.

- 1) Do not cover exhaust vents when the tool is in use. This may cause damage to the motor and reduce the efficiency of the tool.
- 2) Guide back and forth over the work piece in a steady motion.
- 3) To cut hard stone a diamond cutting wheel is recommended.

Switch action.

- 1) When starting hold the tool firmly with both hands i.e. One hand on the motor housing and the other on the side auxiliary handle.
- 2) Start the tool by pressing the button of on/off switch down slightly then pushing forward on the button of on/off switch (See Fig.4).
- 3) Stop the tool by pressing the button of on/off switch.

Setting the rotation speed (SH125SF)

- 1) The rotation speed can be adjusted using the wheel (11).
- 2) The rotational speed can be varied from 3 000 to 11 000 rpm



GRINDING: The best results are achieved with an angle of 30° to 40° for grinding, 15° for finishing. Move the machine back and forth with light pressure. In this manner, the workpiece does not become too hot, no discoloration occurs and no ridges are produced.

CUTTING: Under no circumstances should a cutting disc be used for roughing work. When cutting, do not press, tilt or oscillate.

Work with a moderate feed rate that is suited to the material to be worked. The direction in which one cuts is important.

The machine must always rotate opposite to the direction of motion; therefore never move the machine in the other direction. Otherwise, the danger exists that it will be forced uncontrolled out of the cut.

When cutting profiles or square pipes, it is best to start with the smallest cross section.

Maintenance and inspection

CAUTION: Always be sure that the tool is switched off and unplugged before attempting to perform inspection or maintenance.

- 1) The armature and stator (motor) is the heart of the power tool. Exercise due care to ensure they do not become damaged or affected by oil or water.
- 2) The carbon brushes should be checked periodically and worn-out brushes should be replaced in time. After replacing, inspect whether the new carbon

6. SPECIFICATIONS / ACCESSORIES 7. CE DECLARATION OF CONFORMITY

brushes can move freely in the brush holder. Keep running the motor for 15 minutes to match the contact of the carbon brushes and commutator.

- 3) Regularly inspect all mountings and screws and ensure they are properly tightened. Showed any of the screws be loose, tighten them immediately. Failure to do so may result in serious damage.
- 4) The supply cord of the tool and any extension cord used should be checked frequently for damage. If damaged, have the cordset replaced by an authorized service facility. Replace the extension cord if necessary.
- 5) The grease in the gearbox will require replacement after extensive use of the tool. Please refer to an authorized service agent to provide this service.
- 6) Consult an authorized service agent in the event of failure.
- 7) Clean and dust the tool after each use.

SPECIFICATIONS / ACCESSORIES

Model	Voltage	Rated power (W)	No load speed (RPM)	Grinding wheel	Weight (kg)	Soft start	Const. power	Variable speed
SH115L	230-240V ~50Hz	800	11000	Ø115	1,75	-	-	-
SH125L		950	11000	Ø125	2	-	-	-
SH125SF		1100	3000-11000	Ø125	2	-	-	+

Angle grinder, auxiliary handle, grinding guard, spanner, manual, packing

Noise emission (measured values determined according to EN 60745):

A-weighted sound pressure level $L_{pA} = 86$ dB(A) Uncertainty $K_{pA} = 3.0$ dB

A-weighted sound power level $L_{WA} = 97$ dB(A) Uncertainty $K_{WA} = 3.0$ dB

Total vibration values (vector sum in the three axes) according to EN 60745

Vibration emission value $a_{hAG} = 5,54$ m/s² Uncertainty $K = 1.5$ m/s²

CE DECLARATION OF CONFORMITY

STATUS ITALIA S.r.l. as the responsible manufacturer declare that the following STATUS machines: Angle grinder SH115L/SH125L/SH125SF are of series production and conforms to the following European Directives: 2006/42/EC. And are manufactured in accordance with the following standards or standardised documents: EN 60745-1:2009 + A11:2010,

EN 60745-2-3:2011+A2:2013+A11:2014+A12:2014+A13:2015

The technical documentation kept by the manufacturer: STATUS ITALIA S.R.L., via Aldo Moro, 14/A, 36060 - Pianezze (VI), ITALY

Caron Giacinto
Director
STATUS ITALIA S.R.L.

ALLGEMEINE SICHERHEITSHINWEISE FÜR ELEKTROWERKZEUGE



WARNUNG: Lesen Sie alle Sicherheitshinweise und Anweisungen. Versäumnisse bei der Einhaltung der Sicherheitshinweise und Anweisungen können elektrischen Schlag, Brand und/oder schwere Verletzungen verursachen.

Bewahren Sie alle Sicherheitshinweise und Anweisungen für die Zukunft auf. Der in den Sicherheitshinweisen verwendete Begriff „Elektrowerkzeug“ bezieht sich auf netzbetriebene Elektrowerkzeuge (mit Netzkabel) und auf akkubetriebene Elektrowerkzeuge (ohne Netzkabel).

1) Arbeitsplatzsicherheit

- a) **Halten Sie Ihren Arbeitsbereich sauber und gut beleuchtet.** Unordnung oder unbeleuchtete Arbeitsbereiche können zu Unfällen führen.
- b) **Arbeiten Sie mit dem Elektrowerkzeug nicht in explosionsgefährdeter Umgebung, in der sich brennbare Flüssigkeiten, Gase oder Stäube befinden.** Elektrowerkzeuge erzeugen Funken, die den Staub oder die Dämpfe entzünden können.
- c) **Halten Sie Kinder und andere Personen während der Benutzung des Elektrowerkzeugs fern.** Bei Ablenkung können Sie die Kontrolle über das Gerät verlieren.

2) Elektrische Sicherheit

- a) **Der Anschlussstecker des Elektrowerkzeuges muss in die Steckdose passen. Der Stecker darf in keiner Weise verändert werden. Verwenden Sie keine Adapterstecker gemeinsam mit schutzgeerdeten Elektrowerkzeugen.** Unveränderte Stecker und passende Steckdosen verringern das Risiko eines elektrischen Schlages.
- b) **Vermeiden Sie Körperkontakt mit geerdeten Oberflächen wie von Rohren, Heizungen, Herden und Kühlschränken.** Es besteht ein erhöhtes Risiko durch elektrischen Schlag, wenn Ihr Körper geerdet ist.
- c) **Halten Sie Elektrowerkzeuge von Regen oder Nässe fern.** Das Eindringen von Wasser in ein Elektrowerkzeug erhöht das Risiko eines elektrischen Schlages.
- d) **Zweckentfremden Sie das Kabel nicht, um das Elektrowerkzeug zu tragen, aufzuhängen oder um den Stecker aus der Steckdose zu ziehen.** Halten Sie das Kabel fern von Hitze, Öl, scharfen Kanten oder sich bewegenden Geräteteilen. Beschädigte oder verwickelte Kabel erhöhen das Risiko eines elektrischen Schlages.
- e) **Wenn Sie mit einem Elektrowerkzeug im Freien arbeiten, verwenden Sie nur Verlängerungskabel, die auch für den Außenbereich geeignet sind.** Die Anwendung eines für den Außenbereich geeigneten Verlängerungskabels verringert das Risiko eines elektrischen Schlages.
- f) **Wenn der Betrieb des Elektrowerkzeuges in feuchter Umgebung nicht vermeidbar ist, verwenden Sie einen Fehlerstromschutzschalter.** Der Einsatz

eines Fehlerstromschutzschalters vermindert das Risiko eines elektrischen Schläge.

3) Sicherheit von Personen

- a) **Seien Sie aufmerksam, achten Sie darauf, was Sie tun, und gehen Sie mit Vernunft an die Arbeit mit einem Elektrowerkzeug. Benutzen Sie kein Elektrowerkzeug, wenn Sie müde sind oder unter dem Einfluss von Drogen, Alkohol oder Medikamenten stehen.** Ein Moment der Unachtsamkeit beim Gebrauch des Elektrowerkzeuges kann zu ernsthaften Verletzungen führen.
 - b) **Tragen Sie persönliche Schutzausrüstung und immer eine Schutzbrille.** Das Tragen persönlicher Schutzausrüstung, wie Staubmaske, rutschfeste Sicherheitsschuhe, Schutzhelm oder Gehörschutz, je nach Art und Einsatz des Elektrowerkzeuges, verringert das Risiko von Verletzungen.
 - c) **Vermeiden Sie eine unbeabsichtigte Inbetriebnahme.** Vergewissern Sie sich, dass das Elektrowerkzeug ausgeschaltet ist, bevor Sie es an die Stromversorgung und/oder den Akku anschließen, es aufnehmen oder tragen. Wenn Sie beim Tragen des Elektrowerkzeuges den Finger am Schalter haben oder das Gerät eingeschaltet an die Stromversorgung anschließen, kann dies zu Unfällen führen.
 - d) **Entfernen Sie Einstellwerkzeuge oder Schraubenschlüssel, bevor Sie das Elektrowerkzeug einschalten.** Ein Werkzeug oder Schlüssel, der sich in einem drehenden Geräteteil befindet, kann zu Verletzungen führen.
 - e) **Vermeiden Sie eine abnormale Körperhaltung.** Sorgen Sie für einen sicheren Stand und halten Sie jederzeit das Gleichgewicht. Dadurch können Sie das Elektrowerkzeug in unerwarteten Situationen besser kontrollieren.
 - f) **Tragen Sie geeignete Kleidung.** Tragen Sie keine weite Kleidung oder Schmuck. Halten Sie Haare, Kleidung und Handschuhe fern von sich bewegenden Teilen. Lockere Kleidung, Schmuck oder lange Haare können von sich bewegenden Teilen erfasst werden.
 - g) **Wenn Staubabsaug- und -auffangeinrichtungen montiert werden können, vergewissern Sie sich, dass diese angeschlossen sind und richtig verwendet werden.** Verwendung einer Staubabsaugung kann Gefährdungen durch Staub verringern.
- ### 4) Verwendung und Behandlung des Elektrowerkzeuges
- a) **Überlasten Sie das Gerät nicht. Verwenden Sie für Ihre Arbeit das dafür bestimmte Elektrowerkzeug.** Mit dem passenden Elektrowerkzeug arbeiten Sie besser und sicherer im angegebenen Leistungsbereich.
 - b) **Benutzen Sie kein Elektrowerkzeug, dessen Schalter defekt ist.** Ein Elektrowerkzeug, das sich nicht mehr ein- oder ausschalten lässt, ist gefährlich und muss repariert werden.
 - c) **Ziehen Sie den Stecker aus der Steckdose und/oder entfernen Sie den Akku, bevor Sie Geräteeinstellungen vornehmen, Zubehörteile wechseln oder das Gerät weglegen.** Diese Vorsichtsmaßnahme verhindert den unbeabsichtigten Start des Elektrowerkzeuges.

2. ZUSÄTZLICHE ANLEITUNGEN FÜR SICHERHEIT

- d) **Bewahren Sie unbenutzte Elektrowerkzeuge außerhalb der Reichweite von Kindern auf. Lassen Sie Personen das Gerät nicht benutzen, die mit diesem nicht vertraut sind oder diese Anweisungen nicht gelesen haben.** Elektrowerkzeuge sind gefährlich, wenn Sie von unerfahrenen Personen benutzt werden.
 - e) **Pflegen Sie Elektrowerkzeuge mit Sorgfalt. Kontrollieren Sie, ob bewegliche Teile einwandfrei funktionieren und nicht klemmen, ob Teile gebrochen oder so beschädigt sind, dass die Funktion des Elektrowerkzeuges beeinträchtigt ist. Lassen Sie beschädigte Teile vor dem Einsatz des Gerätes reparieren.** Viele Unfälle haben ihre Ursache in schlecht gewarteten Elektrowerkzeugen.
 - f) **Halten Sie Schneidwerkzeuge scharf und sauber.**
Sorgfältig gepflegte Schneidwerkzeuge mit scharfen Schneidkanten verklemmen sich weniger und sind leichter zu führen.
 - g) **Verwenden Sie Elektrowerkzeug, Zubehör, Einsatzwerkzeuge usw. entsprechend diesen Anweisungen. Berücksichtigen Sie dabei die Arbeitsbedingungen und die auszuführende Tätigkeit.** Der Gebrauch von Elektrowerkzeugen für andere als die vorgesehenen Anwendungen kann zu gefährlichen Situationen führen.
- 5) **Service**
- a) **Lassen Sie Ihr Elektrowerkzeug nur von qualifiziertem Fachpersonal und nur mit Original Ersatzteilen reparieren.** Damit wird sichergestellt, dass die Sicherheit des Elektrowerkzeuges erhalten bleibt.

ZUSÄTZLICHE ANLEITUNGEN FÜR SICHERHEIT BEI ARBEIT MIT WINKELSCHLEIFEN

Gemeinsame Sicherheitshinweise zum Schleifen, Sandpapierschleifen, Arbeiten mit Drahtbürsten, Polieren und Trennschleifen:

- a) **Dieses Elektrowerkzeug ist zu verwenden als Schleifer, Sandpapierschleifer, Drahtbürste, Polierer und Trennschleifmaschine. Beachten Sie alle Sicherheitshinweise, Anweisungen, Darstellungen und Daten, die Sie mit dem Gerät erhalten.** Wenn Sie die folgenden Anweisungen nicht beachten, kann es zu elektrischem Schlag, Feuer und/oder schweren Verletzungen kommen.
- b) **Dieses Elektrowerkzeug ist nicht geeignet zum Polieren.** Verwendungen, für die das Elektrowerkzeug nicht vorgesehen ist, können Gefährdungen und Verletzungen verursachen.
- c) **Verwenden Sie kein Zubehör, das vom Hersteller nicht speziell für dieses Elektrowerkzeug vorgesehen und empfohlen wurde.** Nur weil Sie das Zubehör an Ihrem Elektrowerkzeug befestigen können, garantiert das keine sichere Verwendung.
- d) **Die zulässige Drehzahl des Einsatzwerkzeugs muss mindestens so hoch sein wie die auf dem Elektrowerkzeug angegebene Höchstdrehzahl.** Zubehör, das sich schneller als zulässig dreht, kann zerbrechen und umherfliegen.
- e) **Außendurchmesser und Dicke des Einsatzwerkzeugs müssen den Maßangaben Ihres Elektrowerkzeugs entsprechen.** Falsch bemessene Einsatzwerk-

2. ZUSÄTZLICHE ANLEITUNGEN FÜR SICHERHEIT

- zeuge können nicht ausreichend abgeschirmt oder kontrolliert werden.
- f) **Schleifscheiben, Flansche, Schleifteller oder anderes Zubehör müssen genau auf die Schleifspindel Ihres Elektrowerkzeugs passen.** Einsatzwerkzeuge, die nicht genau auf die Schleifspindel des Elektrowerkzeugs passen, drehen sich ungleichmäßig, vibrieren sehr stark und können zum Verlust der Kontrolle führen.
- g) **Verwenden Sie keine beschädigten Einsatzwerkzeuge. Kontrollieren Sie vor jeder Verwendung Einsatzwerkzeuge wie Schleifscheiben auf Absplitterungen und Risse, Schleifteller auf Risse, Verschleiß oder starke Abnutzung, Drahtbürsten auf lose oder gebrochene Drähte. Wenn das Elektrowerkzeug oder das Einsatzwerkzeug herunterfällt, überprüfen Sie, ob es beschädigt ist, oder verwenden Sie ein unbeschädigtes Einsatzwerkzeug. Wenn Sie das Einsatzwerkzeug kontrolliert und eingesetzt haben, halten Sie und in der Nähe befindliche Personen sich außerhalb der Ebene des rotierenden Einsatzwerkzeugs auf und lassen Sie das Gerät eine Minute lang mit Höchstdrehzahl laufen.** Beschädigte Einsatzwerkzeuge brechen meist in dieser Testzeit.
- h) **Tragen Sie persönliche Schutzausrüstung. Verwenden Sie je nach Anwendung Vollgesichtsschutz, Augenschutz oder Schutzbrille. Soweit angemessen, tragen Sie Staubmaske, Gehörschutz, Schutzhandschuhe oder Spezialschürze, die kleine Schleif- und Materialpartikel von Ihnen fernhält.** Die Augen sollen vor herumfliegenden Fremdkörpern geschützt werden, die bei verschiedenen Anwendungen entstehen. Staub- oder Atemschutzmaske müssen den bei der Anwendung entstehenden Staub filtern. Wenn Sie lange lautem Lärm ausgesetzt sind, können Sie einen Hörverlust erleiden.
- i) **Achten Sie bei anderen Personen auf sicheren Abstand zu Ihrem Arbeitsbereich. Jeder, der den Arbeitsbereich betritt, muss persönlich Schutzausrüstung tragen.** Bruchstücke des Werkstücks oder gebrochener Einsatzwerkzeuge können wegfliegen und Verletzungen auch außerhalb des direkten Arbeitsbereichs verursachen.
- j) **Halten Sie das Gerät nur an den isolierten Griffflächen, wenn Sie Arbeiten ausführen, bei denen das Einsatzwerkzeug verborgene Stromleitungen oder das eigene Netzkabel treffen kann.** Der Kontakt mit einer spannungsführenden Leitung kann auch metallene Geräteteile unter Spannung setzen und zu einem elektrischen Schlag führen.
- k) **Halten Sie das Netzkabel von sich drehenden Einsatzwerkzeugen fern.** Wenn Sie die Kontrolle über das Gerät verlieren, kann das Netzkabel durchtrennt oder erfasst werden und Ihre Hand oder Ihr Arm in das sich drehende Einsatzwerkzeug geraten.
- l) **Legen Sie das Elektrowerkzeug niemals ab, bevor das Einsatzwerkzeug völlig zum Stillstand gekommen ist.** Das sich drehende Einsatzwerkzeug kann in Kontakt mit der Ablagefläche geraten, wodurch Sie die Kontrolle über das Elektrowerkzeug verlieren können.
- m) **Lassen Sie das Elektrowerkzeug nicht laufen, während Sie es tragen.**

2. ZUSÄTZLICHE ANLEITUNGEN FÜR SICHERHEIT

Ihre kann durch zufälligen Kontakt mit dem sich drehenden Einsatzwerkzeug erfasst werden und das Einsatzwerkzeug sich in Ihren Körper bohren.

n) Reinigen Sie regelmäßig die Lüftungsschlitze Ihres Elektrowerkzeugs.

Das Motorgebläse zieht Staub in das Gehäuse, und eine starke Ansammlung von Metallstaub kann elektrische Gefahren verursachen.

o) Verwenden Sie das Elektrowerkzeug nicht in der Nähe brennbarer Materialien. Funken können diese Materialien entzünden.

p) Verwenden Sie keine Einsatzwerkzeuge, die flüssige Kühlmittel erfordern.

Die Verwendung von Wasser oder anderen flüssigen Kühlmitteln kann zu einem elektrischen Schlag führen.

• Das Elektrowerkzeug darf nur zu dem angegebenen Verwendungszweck gebraucht werden. Jegliche andere Verwendung, anders als in diesen Anleitungen beschrieben wird als nicht richtige Verwendung betrachtet.

Die Verantwortung für jegliche Verletzung in Folge einer unrichtigen Verwendung wird vom Betreiber getragen und nicht von dem Hersteller.

• Der Hersteller trägt keine Verantwortung für die durch den Betreiber vorgenommenen Änderungen an dem Elektrowerkzeug oder für Beschädigungen, verursacht durch diese Änderungen.

• Bei Arbeit in einer staubigen Umgebung müssen die Ventilationsöffnungen der Maschine rein gehalten werden. Wenn diese vom Staub zu reinigen sind, schalten Sie zuerst die Stromversorgung ab und nutzen Sie keine Metallgegenstände für die Staubreinigung, wobei Sie darauf achten sollten die Innenbauteile der Maschine nicht zu beschädigen. Das Elektrowerkzeug wird überhitzt wenn die Kühlung durch verstaubte Ventilationsöffnungen reduziert wird.

Weitere Sicherheitshinweise für alle Anwendungen

Rückschlag und entsprechende Sicherheitshinweise

Rückschlag ist die plötzliche Reaktion infolge eines hakenden oder blockierten drehenden Einsatzwerkzeugs, wie Schleifscheibe, Schleifteller, Drahtbürste usw. Verhaken oder Blockieren führt zu einem abrupten Stopp des rotierenden Einsatzwerkzeugs. Dadurch wird ein unkontrolliertes Elektrowerkzeug gegen die Drehrichtung des Einsatzwerkzeugs an der Blockierstelle beschleunigt. Wenn z. B. eine Schleifscheibe im Werkstück hakt oder blockiert, kann sich die Kante der Schleifscheibe, die in das Werkstück eintaucht, verfangen und dadurch die Schleifscheibe ausbrechen oder einen Rückschlag verursachen. Die Schleifscheibe bewegt sich dann auf die Bedienperson zu oder von ihr weg, je nach Drehrichtung der Scheibe an der Blockierstelle. Hierbei können Schleifscheiben auch brechen.

Ein Rückschlag ist die Folge eines falschen oder fehlerhaften Gebrauchs des Elektrowerkzeugs. Er kann durch geeignete Vorsichtsmaßnahmen, wie nachfolgend beschrieben, verhindert werden.

a) Halten Sie das Elektrowerkzeug gut fest und bringen Sie Ihren Körper und Ihre Arme in eine Position, in der Sie die Rückschlagkräfte abfangen können. Verwenden Sie immer den Zusatzgriff, falls vorhanden, um die größtmögliche Kontrolle über Rückschlagkräfte oder Reaktionsmomente beim

2. ZUSÄTZLICHE ANLEITUNGEN FÜR SICHERHEIT

Hochlauf zu haben. Die Bedienperson kann durch geeignete Vorsichtsmaßnahmen die Rückschlag- und Reaktionskräfte beherrschen.

b) Bringen Sie Ihre Hand nie in die Nähe sich drehender Einsatzwerkzeuge.

Das Einsatzwerkzeug kann sich beim Rückschlag über Ihre Hand bewegen.

c) Meiden Sie mit Ihrem Körper den Bereich, in den das Elektrowerkzeug bei einem Rückschlag bewegt wird. Der Rückschlag treibt das Elektrowerkzeug in die Richtung entgegengesetzt zur Bewegung der Schleifscheibe an der Blockierstelle.

d) Arbeiten Sie besonders vorsichtig im Bereich von Ecken, scharfen Kanten usw. Verhindern Sie, dass Einsatzwerkzeuge vom Werkstück zurückprallen und verklemmen. Das rotierende Einsatzwerkzeug neigt bei Ecken, scharfen Kanten oder wenn es abprallt dazu, sich zu verklemmen. Dies verursacht einen Kontrollverlust oder Rückschlag.

e) Verwenden Sie kein Ketten- oder gezähntes Sägeblatt. Solche Einsatzwerkzeuge verursachen häufig einen Rückschlag oder den Verlust der Kontrolle über das Elektrowerkzeug.

• Das zu bearbeitende Werkstück festspannen oder entsprechend sichern. Besondere Sicherheitshinweise zum Schleifen und Trennschleifen:

a) Verwenden Sie ausschließlich die für Ihr Elektrowerkzeug zugelassenen Schleifkörper und die für diese Schleifkörper vorgesehene Schutzhaube. Schleifkörper, die nicht für das Elektrowerkzeug vorgesehen sind, können nicht ausreichend abgeschirmt werden und sind unsicher.

b) Die Schutzhaube muss sicher am Elektrowerkzeug angebracht und so eingestellt sein, dass ein Höchstmaß an Sicherheit erreicht wird, d.h. der kleinstmögliche Teil des Schleifkörpers zeigt offen zur Bedienperson. Die Schutzhaube soll die Bedienperson vor Bruchstücken, vor zufälligem Kontakt mit dem Schleifkörper und vor Funken, die seine Bekleidung anzünden könnten, schützen.

c) Schleifkörper dürfen nur für die empfohlenen Einsatzmöglichkeiten verwendet werden. Zum Beispiel: Schleifen Sie nie mit der Seitenfläche einer Trennscheibe. Trennscheiben sind zum Materialabtrag mit der Kante der Scheibe bestimmt. Seitliche Krafteinwirkung auf diese Schleifkörper kann sie zerbrechen.

d) Verwenden Sie immer unbeschädigte Spannflansche in der richtigen Größe und Form für die von Ihnen gewählte Schleifscheibe. Geeignete Flansche stützen die Schleifscheibe und verringern so die Gefahr eines Schleifscheibenbruchs. Flansche für Trennscheiben können sich von den Flanschen für andere Schleifscheiben unterscheiden.

e) Verwenden Sie keine abgenutzten Schleifscheiben von größeren Elektrowerkzeugen. Schleifscheiben für größere Elektrowerkzeuge sind nicht für die höheren Drehzahlen von kleineren Elektrowerkzeugen ausgelegt und können brechen.

• Beachten Sie immer die Drehrichtung der Scheibe.

• Halten Sie die Maschine immer so, dass die Funken und der Staub durch

2. ZUSÄTZLICHE ANLEITUNGEN FÜR SICHERHEIT

das Schleifen am Körper vorbeifliegen. Die Arbeit mit dem Winkelschleifer erzeugt Funken welche die Kleidung oder nicht geschützte Teile des Körpers verbrennen können.

- **Das Schleifen und Schneiden von frisch gestrichenen Metallteilen ist nicht zulässig bevor die Farbe vollständig getrocknet ist.** Es besteht die Gefahr, dass sich die nicht trockene Farbe entzündet.
- **Das Schneiden in brennbare Materialien (Holz, Kunststoff u.a.) sowie Plattenkonstruktionen Type "Sandwich" mit brennbarer Füllung ist ebenfalls nicht zulässig.** Es besteht Feuergefahr.
- **Nicht zulässig ist das Schleifen und das Schneiden von Ausrüstungen, die unter Druck stehen bzw. arbeiten.** Es besteht Explosionsgefahr.
- **Nicht zugelassen ist das Schleifen und das Schneiden von Behältern, Rohrleitungen, Geräten u. a. , die gefüllt sind oder gefüllt wurden mit brennbaren oder leicht entzündlichen Stoffen oder Materialien, ohne das zuvor Maßnahmen gegen Feuer oder eine Explosion getroffen wurden.** Es besteht Feuer oder Explosionsgefahr.

Weitere besondere Sicherheitshinweise zum Trennschleifen:

- a) **Vermeiden Sie ein Blockieren der Trennscheibe oder zu hohen Anpressdruck. Führen Sie keine übermäßig tiefen Schnitte aus.** Eine Überlastung der Trennscheibe erhöht deren Beanspruchung und die Anfälligkeit zum Verkanten oder Blockieren und damit die Möglichkeit eines Rückschlags oder Schleifkörperbruchs.
- b) **Meiden Sie den Bereich vor und hinter der rotierenden Trennscheibe.** Wenn Sie die Trennscheibe im Werkstück von sich wegbewegen, kann im Falle eines Rückschlags das Elektrowerkzeug mit der sich drehenden Scheibe direkt auf Sie zugeschleudert werden.
- c) **Falls die Trennscheibe verklemmt oder Sie die Arbeit unterbrechen, schalten Sie das Gerät aus und halten Sie es ruhig, bis die Scheibe zum Stillstand gekommen ist. Versuchen Sie nie, die noch laufende Trennscheibe aus dem Schnitt zu ziehen, sonst kann ein Rückschlag erfolgen.** Ermitteln und beheben Sie die Ursache für das Verklemmen.
- d) **Schalten Sie das Elektrowerkzeug nicht wieder ein, solange es sich im Werkstück befindet. Lassen Sie die Trennscheibe erst ihre volle Drehzahl erreichen, bevor Sie den Schnitt vorsichtig fortsetzen.** Anderenfalls kann die Scheibe verhaken, aus dem Werkstück springen oder einen Rückschlag verursachen.
- e) **Stützen Sie Platten oder große Werkstücke ab, um das Risiko eines Rückschlags durch eine eingeklemmte Trennscheibe zu vermindern. Große Werkstücke können sich unter ihrem eigenen Gewicht durchbiegen.** Das Werkstück muss auf beiden Seiten der Scheibe abgestützt werden, und zwar sowohl in der Nähe des Trennschnitts als auch an der Kante.
- f) **Seien Sie besonders vorsichtig bei „Taschenschnitten“ in bestehende Wände oder andere nicht einsehbare Bereiche.**

3. BETRIEBSHINWEISE

Die eintauchende Trennscheibe kann beim Schneiden in Gas- oder Wasserleitungen, elektrische Leitungen oder andere Objekte einen Rückschlag verursachen.

Besondere Sicherheitshinweise zum Sandpapierschleifen:

- a) **Benutzen Sie keine überdimensionierten Schleifblätter, sondern befolgen Sie die Herstellerangaben zur Schleifblattgröße.** Schleifblätter, die über den Schleifteller hinausragen, können Verletzungen verursachen sowie zum Blockieren, Zerreißen der Schleifblätter oder zum Rückschlag führen.

Besondere Sicherheitshinweise zum Polieren:

- a) **Lassen Sie keine losen Teile der Polierhaube, insbesondere Befestigungsschnüre, zu. Verstauen oder kürzen Sie die Befestigungsschnüre.** Lose, sich mitdrehende Befestigungsschnüre können Ihre Finger erfassen oder sich im Werkstück verfangen.

Besondere Sicherheitshinweise zum Arbeiten mit Drahtbürsten:

- a) **Beachten Sie, dass die Drahtbürste auch während des üblichen Gebrauchs Drahtstücke verliert. Überlasten Sie die Drähte nicht durch zu hohen Anpressdruck.** Wegfliegende Drahtstücke können sehr leicht durch dünne Kleidung und/oder die Haut dringen.
- b) **Wird eine Schutzhaube empfohlen, verhindern Sie, dass sich Schutzhaube und Drahtbürste berühren können.** Teller- und Topfbürsten können durch Anpressdruck und Zentrifugalkräfte ihren Durchmesser vergrößern.

BETRIEBSHINWEISE

Elemente des Elektrowerkzeugs

Bevor Sie die Arbeit mit dem Werkzeug beginnen machen Sie sich mit allen Operationsbesonderheiten und Sicherheitsbedingungen vertraut. Verwenden Sie das Werkzeug und sein Zubehör nur nach seinem Verwendungszweck. Jegliche andere Verwendung ist verboten.

- | | |
|-----------------------------------|-----------------------------------|
| 1. Zusatzgriff | 7. Anschlagflansch |
| 2. Spindelverriegelungsknopf | 8. Schleifscheibe |
| 3. Vents | 9. Flansch |
| 4. Ein-Aus-Schalter | 10. Schlüssel |
| 5. Ein Loch für die Zusatzgriff | 11. Elektronischer Drehzahlregler |
| 6. Schutzhaube für Schleifscheibe | (SH125SF) |

Dieses Elektrowerkzeug wird nur mit einphasiger Wechselspannung versorgt. Man kann es an Kontaktsteckdosen ohne Schutzklemmen anschließen. Es ist nach EN 60745 und IEC 60745-1 doppelt isoliert. Die Funkstörungen entsprechen der EMV-Richtlinie 2004/108/EG zur Elektromagnetischen Verträglichkeit.

Dieses Elektrowerkzeug ist bestimmt zum trockenen Schneiden, Schleifen und Bürsten, vorwiegend von Metallwerkstücken

Vor dem Beginn der Arbeit

- Das Gerät kann mit fabrikmäßig montierter Schutzhaube sein. Versichern Sie sich vor dem ersten und jedem weiteren Gebrauch, dass die Schutzhaube richtig montiert und zuverlässig fixiert ist.

3. BETRIEBSHINWEISE

- Das Gerät kann mit fabrikmäßig montierter Schruppoder Trennscheibe sein. Versichern Sie sich vor dem ersten und jedem weiteren Gebrauch, dass die Scheibe richtig montiert und zuverlässig festgezogen ist.
- Überprüfen Sie ob die Spannung des Versorgungsnetzes der auf dem Typenschild mit den technischen Daten des Elektrowerkzeuges angegebenen Spannung entspricht.
- Überprüfen Sie in welcher Stellung der sich Schalter befindet. Das Gerät darf nur mit ausgeschaltet ans Netz angeschlossen und vom Netz getrennt werden. Falls Sie den Netzstecker in die Steckdose stecken wenn das Gerät eingeschaltet ist wird es sofort beginnen anzulaufen was die Voraussetzung für einen schweren Unfall sein kann.
- Überzeugen Sie sich vom ordnungsgemäßen Zustand des Versorgungskabels und des Steckers. Falls das Versorgungskabel beschädigt ist, darf es nur vom Hersteller oder einem autorisierten Servicefachmann ausgetauscht werden um eventuelle Austauschrisiken zu vermeiden.



WARNUNG! Schalten Sie das Elektrowerkzeug vor jeglichen Einstellungs-, Wartungs- und Reparaturarbeiten aus und trennen Sie es vom Netz. Das gleiche gilt bei Stromausfall (Gefahr des unbeabsichtigten Wiederanlaufens).

- Überprüfen Sie ob der Durchmesser und die Dicke der Scheibe die Sie verwenden wollen nicht größer sind als in den technischen Daten für das Gerät angegebenen. Die auf der Scheibe angegebene periphere Geschwindigkeit darf mindestens 80 m/s betragen. Bewahren Sie die Scheiben entsprechend den Hinweisen ihres Herstellers auf.
- Wenn der Arbeitsplatz von der Stromquelle entfernt ist, benutzen Sie ein so kurz wie mögliches Verlängerungskabel mit geeignetem Querschnitt.
- Überprüfen Sie ob der zusätzliche Handgriff richtig angesetzt und festgezogen ist.

SCHUTZHAUBE



WARNUNG: Die Schutzhaube (für Trennscheibe oder die Schutzhaube für Schruppscheibe (entsprechend für Trennscheibe oder für Schruppscheibe) muss immer an der Maschine angesetzt sein!

Ihre Stellung ist unterschiedlich und hängt davon ab, auf welcher Seite der Zusatzgriff montiert wird oder ob ein montierter Ständer benutzt wird.

Montage der Schutzhaube (Abb.2)

- Lösen Sie die Befestigungsschraube.
- Setzen Sie die Schutzhaube (6) so an, dass die Feder der Schutzhaube mit dem Schlitz übereinstimmt und drücken Sie diese nach unten, damit sie in den Kanal um den Lagersitz eingehen kann.
- Ziehen Sie die Schraube so fest an, damit sie die Lockerung zwischen dem Ring der Sicherung und dem Lagersitz so reduzieren können, dass eine Möglichkeit für leichtes Drehen zwischen ihnen besteht.
- Drehen Sie die Schutzhaube in die gewünschte Lage.
- Ziehen Sie die Befestigungsschraube fest.

3. BETRIEBSHINWEISE

- Falls es erforderlich ist, wiederholen Sie die Vorgehensweise für die Reduzierung der Lockerung zwischen dem Ring der Schutzhaube und dem Lagersitz.

Drehen der Schutzhaube in eine neue Arbeitsposition

- Lösen Sie die Befestigungsschraube. .
- Drehen Sie die Schutzhaube in die neue Arbeitsposition.
- Ziehen Sie die Befestigungsschraube fest.

INSTALLIEREN SIE DAS SCHLEIFSCHEIBE (Bild 1-3)

1. Die Spindelverriegelungsknopf (2) niederdrücken und festhalten.
2. Den Flansch (9) mit einem Schlüssel (10) in Richtung entfernen gegen den Uhrzeigersinn.
3. Die Schleifscheibe (8) über die Spindel mit der gedrückten Mitte gegenführen der Anschlagflansch (7).
4. Spindelverriegelungsknopf (2) erneut betätigen, Flansch (9) und Sicher einstecken Mit einem Schlüssel (10) festziehen, aber nicht zu fest anziehen.

ZUSATZGRIFF

Normalerweise wird der Zusatzgriff (1) von der linken Seite des Gerätes angeschraubt. Dieser kann auch wahlweise von rechts an das Gerät montiert werden.

EIN- UND AUSSCHALTEN

Einschalten: Den Schieber des Schalters (4) im hinteren Teil drücken und nach vorn in die Pfeilrichtung schieben, bis sich sein Vorderteil versenkt und einrastet.

Ausschalten: Den hinteren angehobenen Teil des Schalters (4) drücken und von selbst in die Ursprungstellung gleiten lassen.

Einstellung der Drehzahl (SH125SF)

- 1) Die Drehzahl kann mit dem Rad (11) eingestellt werden.
- 2) Die Drehzahl kann von 3 000 bis 11 000 U / min variiert werden



SCHLEIFEN: Die besten Ergebnisse werden mit einem Winkel von 30° bis 40° erreicht zum Schleifen, 15° zum Veredeln. Bewege die Maschine hin und her mit leichter Druck auf diese Weise wird das Werkstück nicht zu heiß, keine Verfärbung erfolgt und keine Kämme entstehen.



CUTTING: Unter keinen Umständen sollte eine Schneidscheibe verwendet werden Rauarbeiten beim Schneiden nicht drücken, kippen oder oszillieren. Arbeiten Sie mit einer moderaten Vorschubrate, die für das Material geeignet ist hat funktioniert. Die Richtung, in die man schneidet, ist wichtig. Die Maschine muss sich immer entgegen der Bewegungsrichtung drehen; Also niemals die Maschine in die andere Richtung bewegen. Andernfalls, die Gefahr besteht, dass es unkontrolliert aus dem Schnitt gezwungen wird.

4. WARTUNG

5. TECHNISCHE DATEN / ZUBEHÖR

WARTUNG

WARNUNG: Ziehen Sie den Stecker aus der Steckdose, bevor Sie jede Inspektion oder Wartung vornehmen.

Instandsetzung der Kohlebürsten

Das elektrische Gerät hat selbstausschaltende Kohlebürsten. Diese verschleifen und müssen deshalb von Zeit zu Zeit von einer autorisierten STATUS – Vertrags-Kundendienstwerkstatt geprüft bzw. ausgetauscht werden.

Instandhaltung

Prüfen Sie regelmäßig ob alle Stützelemente fest angezogen sind. Falls eine Klemmschraube gelöst ist, unverzüglich anziehen, um Risiken zu vermeiden.

Wenn die Anschlussleitung beschädigt ist, muss sie von einer autorisierten STATUS Vertrags-Kundendienstwerkstatt ausgetauscht werden.

Reinigung

Pflegen Sie das elektrische Gerät und die Entlüftungsöffnungen mit Sorgfalt. Kontrollieren Sie, ob bewegliche Geräteteile einwandfrei funktionieren und nicht klemmen, ob Teile gebrochen oder so beschädigt sind, dass die Funktion des elektrischen Gerätes beeinträchtigt ist. Verwenden Sie eine weiche Bürste und/oder Pressluft, um Staub zu entfernen. Tragen Sie eine Schutzbrille während der Reinigung. Reinigen Sie den Gerätekörper mit einem weichen, feuchten Tuch und leichtem Spülmittel.

WARNUNG: Die Verwendung von Spiritus, Benzin oder anderen Lösmitteln ist nicht zugelassen. Verwenden Sie keine ätzenden Reinigungsmittel für die Kunststoffteile.

WARNUNG: Das Eindringen von Wasser in das Elektrogerät ist nicht ratsam.

ACHTUNG! Um den sicheren und zuverlässigen Betrieb des Elektrowerkzeuges sicherzustellen, lassen Sie alle Geräteeinstellungen, Reparatur- und Wartungstätigkeiten (einschließlich der Inspektion und Instandsetzung der Kohlebürsten) von einer autorisierten STATUS Vertrags-Kundendienstwerkstatt durchführen.

TECHNISCHE DATEN / ZUBEHÖR

Modell	Spannung	Aufnahmeleistung (W)	Leerlaufdrehzahl (DPM)	Schleifscheibe	Gewicht (kg)	Soft start	Konst Kraft	Variable Frequenz
SH115L	230-240V ~50Hz	800	11000	Ø115	1,75	-	-	-
SH125L		950	11000	Ø125	2	-	-	-
SH125SF		1100	3000-11000	Ø125	2	-	-	+

Zusatzgriff, Schutzhaube, Schraubenschlüssel, Bedienungsanleitung, Verpackung.

6. KONFORMITÄTSERKLÄRUNG

Noise emission (measured values determined according to EN 60745):

A-weighted sound pressure level $L_{pA} = 86 \text{ dB(A)}$ Uncertainty $K_{pA} = 3.0 \text{ dB}$

A-weighted sound power level $L_{WA} = 97 \text{ dB(A)}$ Uncertainty $K_{WA} = 3.0 \text{ dB}$

Total vibration values (vector sum in the three axes) according to EN 60745

Vibration emission value $a_{hAG} = 5,54 \text{ m/s}^2$ Uncertainty $K = 1.5 \text{ m/s}^2$

KONFORMITÄTSERKLÄRUNG

Hiermit versichern wir unsere persönliche Haftung, dass dieses Erzeugnis allen einschlägigen Bestimmungen folgender Richtlinien und entsprechender harmonisierten Standards entspricht:

The Machinery Directive 2006/42/EC, EN 60745-1:2009 + A11:2010,

EN 60745-2-3:2011+A2:2013+A11:2014+A12:2014+A13:2015

Die technischen Unterlagen werden bei STATUS ITALIA S.R.L., via Aldo Moro, 14/A, 36060 - Pianezze (VI), ITALIA, aufbewahrt.

Caron Giacinto
Direktor
STATUS ITALIA S.R.L.

AVVERTENZE DI SICUREZZA



ATTENZIONE! Leggere tutte le istruzioni d'uso e le avvertenze di sicurezza. L'inosservanza delle istruzioni seguenti può causare folgorazioni, incendi e/o gravi danni a persone.

Conservare con cura queste istruzioni.

Il termine "utensile" in tutte le avvertenze successive si riferisce sia agli utensili collegati alla rete elettrica (con cavo di alimentazione) che agli utensili a batteria (senza cavo).

1) AREA DI LAVORO

- **Mantenere l'area di lavoro pulita e ben illuminata.** Le zone buie ed ingombre di oggetti favoriscono incidenti.
- **Non utilizzare l'utensile in presenza di liquidi infiammabili, gas o polvere.** Le scintille generate potrebbero infiammare polvere e/o vapore.
- **Tenere a distanza bambini e terzi durante il funzionamento.** Per una distrazione potreste perdere il controllo dell'utensile.

2) SICUREZZA ELETTRICA

- **La spina dell'utensile deve essere adatta alla presa utilizzata.** **Non modificare la spina in alcun modo.** Non utilizzare adattatori con gli utensili collegati a terra. L'impiego di una spina integra ed una presa adatta riduce i rischi di folgorazione.
- **Evitare di toccare con il corpo le superfici collegate a terra quali tubi, radiatori, forni e frigoriferi.** Il rischio di folgorazione aumenta se il corpo è collegato a terra.
- **Non esporre l'utensile alla pioggia e all'umidità.** La penetrazione d'acqua nell'utensile aumenta il rischio di folgorazione.
- **Non utilizzare il cavo per scopi diversi da quello previsto. Non utilizzare il cavo per trasportare o tirare l'utensile, oppure per staccare la spina dalla presa. Tenere il cavo lontano da fonti di calore, olio, parti appuntite o in movimento.** Cavi danneggiati o attorcigliati aumentano il rischio di folgorazione.
- **Se l'utensile viene utilizzato all'aperto, usare una prolunga adatta all'uso esterno.** L'impiego di una prolunga da esterno reduce il rischio di folgorazione.
- **Se il lavoro in un ambiente umido è strettamente necessario, utilizzare una presa protetta da dispositivo a corrente residua.** Ciò reduce i rischi di scosse.

3) SICUREZZA PERSONALE

- **L'uso di elettro utensili richiede attenzione e buon senso. Non utilizzare gli utensili se si è stanchi o sotto l'effetto di droghe, alcol o medicinali.** Una breve disattenzione può provocare gravi danni alle persone.
- **Munirsi di indumenti e dispositivi di protezione.** Indossare sempre occhiali da lavoro. L'uso di dispositivi di protezione tra cui mascherina antipolvere, scarpe antiscivolo, casco e protezioni per l'udito reduce il rischio di danni a persone.
- **Evitare l'accensione accidentale. Accertarsi che l'interruttore sia in posizione "OFF" prima di inserire la spina.** Se si trasportano gli utensili con il

dito sull'interruttore o si inserisce la spina nella presa con l'interruttore in posizione "ON" aumenta il rischio di incidenti.

- **Togliere tutte le chiavi di regolazione prima di accendere l'utensile.** Una chiave lasciata inserita in una parte rotante di un utensile può provocare danni a persone.
 - **Non utilizzare l'utensile in condizioni estreme. Mantenere sempre l'equilibrio ed i piedi ben appoggiati a terra.** Questo consente un maggior controllo dell'utensile in caso di imprevisti.
 - **Indossare un abbigliamento adeguato. Non indossare abiti svolazzanti o gioielli. Tenere capelli, vestiti, e guanti lontani dalle parti in movimento.** Abiti svolazzanti, gioielli o capelli potrebbero impigliarsi nelle parti in movimento.
 - **In presenza di apparecchiature per il collegamento a dispositivi di aspirazione e raccolta delle polveri, accertarsi che essi siano collegati ed utilizzarli correttamente.** L'uso di queste apparecchiature può ridurre i rischi causati dalla polvere.
- ### 4) USO E MANUTENZIONE DELL'UTENSILE
- **Utilizzare l'utensile più adatto per il lavoro da svolgere.** L'impiego dell'utensile giusto migliora la qualità del lavoro e la sicurezza.
 - **Non utilizzare l'utensile se non è possibile accenderlo e spegnerlo con l'apposito interruttore.** Gli utensili che non possono essere controllati con l'interruttore sono pericolosi e devono essere riparati.
 - **Staccare la spina dall'alimentazione di corrente prima di eseguire regolazioni, cambiare accessori o riporre l'utensile.** Osservando queste precauzioni si reduce il rischio di accensione accidentale dell'utensile.
 - **Riporre gli utensili non utilizzati fuori dalla portata dei bambini e non consentirne l'utilizzo a persone che non conoscono l'utensile o queste istruzioni.** Nelle mani di persone inesperte gli utensili possono diventare pericolosi.
 - **Sottoporre l'utensile a manutenzione. Verificare il corretto allineamento di tutte le parti mobili, controllare che non siano grippate e che non vi siano rotture o altri guasti che potrebbero influire sul funzionamento dell'utensile.** Far riparare gli utensili danneggiati prima di riutilizzarli. Molti incidenti sono causati da utensili in pessime condizioni.
 - **Tenere le punte e gli strumenti da taglio puliti ed affilati.** Se sottoposti ad una regolare manutenzione e pulizia consentono di lavorare in modo più preciso e sono maggiormente controllabili.
 - **Utilizzare l'utensile, gli accessori, gli attrezzi etc. secondo quanto indicato in queste istruzioni nonché tenendo in considerazione le condizioni di lavoro e il lavoro da eseguire.** L'impiego di utensili per scopi diversi da quelli per cui sono stati progettati può dare origine a situazioni pericolose.

5. MANUTENZIONE

- **Far riparare l'utensile da personale qualificato che utilizzi solo parti di ricambio originali.** In caso contrario la sicurezza dell'utensile potrebbe risultare compromessa.

NORME DI SICUREZZA PER SMERIGLIATRICI ANGOLARI

Istruzioni di sicurezza generali per lavori di levigatura, levigatura con fogli abrasivi, lavori con spazzole metalliche e troncatura:

- **Questo elettroutensile è previsto per essere utilizzato come levigatrice, levigatrice con fogli abrasivi, spazzola metallica e troncatrice. Attenersi a tutte le avvertenze di pericolo, istruzioni, rappresentazioni e dati che si ricevono insieme all'elettroutensile.** In caso di mancata osservanza delle seguenti istruzioni vi è il pericolo di provocare una scossa elettrica, di sviluppare incendi e/o di provocare seri incedenti.
- **Questo elettroutensile non è adatto per operazioni di lucidatura.** Utilizzando l'elettroutensile per applicazioni non esplicitamente previste per lo stesso, si vengono a sviluppare situazioni pericolose e si provocano incidenti.
- **Non utilizzare nessun accessorio che la casa costruttrice non abbia esplicitamente previsto e raccomandato per questo elettroutensile.** Il semplice fatto che un accessorio possa essere fissato al Vostro elettroutensile non è una garanzia per un impiego sicuro.
- **Il numero di giri ammesso dell'accessorio impiegato deve essere alto tanto alto quanto il numero massimo di giri riportato sull'elettroutensile.** Un accessorio che gira più rapidamente di quanto consentito può rompersi in vari pezzi e venire lanciato via.
- **Il diametro esterno e lo spessore dell'accessorio montato devono corrispondere ai dati delle dimensioni dell'elettroutensile in dotazione.** In caso di portautensili e di accessori di dimensioni sbagliate non sarà possibile schermanli oppure controllarli a sufficienza.
- **Dischi abrasivi, flange, platorelli oppure altri portautensili ed accessori devono adattarsi perfettamente al mandrino portamola dell'elettroutensile in dotazione.** Portautensili ed accessori che non si adattino perfettamente al mandrino portamola dell'elettroutensile non ruotano in modo uniforme, vibrano molto forte e possono provocare la perdita del controllo.
- **Non utilizzare mai portautensili od accessori danneggiati.** Prima di ogni utilizzo controllare i portautensili e gli accessori ed accertarsi che sui dischi abrasivi non vi siano scheggiature o crepature, che il platorello non sia soggetto ad incrinature, crepature o forte usura e che le spazzole metalliche non abbiano fili metallici allentati oppure rotti. Se l'elettroutensile oppure l'accessorio impiegato dovesse sfuggire di mano e cadere, accertarsi che questo non abbia subito nessun danno oppure utilizzare un accessorio intatto. Una volta controllato e montato il portautensile o accessorio, far funzionare l'elettroutensile per la durata di un minuto con il numero massimo di giri avendo cura di tenersi lontani e di impedire anche ad altre

persone presenti di avvicinarsi al portautensile o accessorio in rotazione. Nella maggior parte dei casi i portautensili o accessori danneggiati si rompono nel corso di questo periodo di prova.

- **Indossare abbigliamento di protezione. A seconda dell'applicazione in corso utilizzare una visiera completa, maschera di protezione per gli occhi o oppure occhiali di sicurezza. Per quanto necessario, portare maschere per polveri, protezione acustica guanti di protezione oppure un grembiule speciale in grado di proteggervi da piccole particelle di levigatura o di materiale.** Gli occhi dovrebbero essere protetti da corpi estranei espulsi in aria nel corso di diversi applicazioni. La maschera antipolvere e la maschera respiratoria devono essere in grado di filtrare la polvere provocata durante l'applicazione. Esponendosi per lungo tempo ad un rumore troppo forte vi è il pericolo di perdere l'udito.
- **Avere cura di evitare che altre persone possano avvicinarsi alla zona in cui si sta lavorando. Ogni persona che entra nella zona di operazione deve indossare un abbigliamento protettivo personale.** Frammenti del pezzo in lavorazione oppure utensili rotti possono volar via oppure provocare incidenti anche al di fuori della zona diretta di lavoro.
- **Quando si eseguono lavori in cui vi è pericolo che l'accessorio impiegato possa arrivare a toccare cavi elettrici nascosti oppure anche il cavo elettrico della macchina stessa, tenere l'elettroutensile afferrandolo sempre alle superfici di impugnatura isolate.** Un contatto con un cavo elettrico mette sotto tensione anche le parti in metallo dell'elettroutensile e provoca quindi una scossa elettrica.
- **Tenere il cavo di collegamento elettrico sempre lontano da portautensili o accessori in rotazione.** Se si perde il controllo sull'elettroutensile vi è il pericolo di troncatura o di colpire il cavo di collegamento elettrico e la Vostra mano o braccio può arrivare a toccare il portautensile o accessorio in rotazione.
- **Mai poggiare l'elettroutensile prima che il portautensile o l'accessorio impiegato non si sia fermato completamente.** L'utensile in rotazione può entrare in contatto con la superficie di appoggio facendoVi perdere il controllo sulla macchina.
- **Mai trasportare l'elettroutensile mentre questo è ancora in funzione.** Attraverso un contatto casuale l'utensile in rotazione potrebbe fare presa sugli indumenti oppure sui capelli dell'operatore e potrebbe arrivare a ferire seriamente il corpo dell'operatore.
- **Pulire regolarmente le feritoie di ventilazione dell'elettroutensile in dotazione.** Il ventilatore del motore attira polvere nella carcassa ed una forte raccolta di polvere di metallo può provocare pericoli di origine elettrica.
- **Non utilizzare mai l'elettroutensile nella vicinanze di materiali infiammabili.** Le scintille possono far prendere fuoco questi materiali.
- **Non utilizzare mai accessori che richiedono refrigeranti liquidi.** L'utilizzo di acqua o di altri liquidi refrigeranti può provocare una scossa elettrica.

- Non utilizzare la macchina per scopi diversi da quelli indicati in queste istruzioni. L'uso per qualsiasi altra finalità sarà considerato uso improprio. In tal caso sarà l'utente e non l'azienda produttrice ad essere ritenuto responsabile di eventuali danni o lesioni.
- L'azienda produttrice non è responsabile per eventuali modifiche apportate all'utensile da parte dell'utente o per danni causati da tali modifiche.
- Quando si lavora in ambiente polveroso mantenere pulite le aperture di ventilazione. Se risulta necessario pulire la polvere, distaccare prima l'alimentazione e usare oggetti non metallici per pulire la polvere, facendo attenzione di non guastare le parti interne della macchina. Se utilizzato dopo essere stato fatto raffreddare con aperture di ventilazione intasate l'utensile si surriscaldierà.

Altre esigenze di sicurezza in tutte le operazioni

Contraccolpo e relative avvertenze di pericolo

Un contraccolpo è l'improvvisa reazione in seguito ad agganciamento oppure blocco di un accessorio in rotazione come può essere un disco abrasivo, platorello, spazzola metallica ecc. Se si aggancia o si blocca, il portautensile/accessorio, si provoca un arresto improvviso della rotazione dello stesso e si spinge l'utensile a ruotare nel senso inverso. Se ad esempio un disco abrasivo resta agganciato o bloccato nel pezzo in lavorazione, il bordo del disco abrasivo che è inserito nel pezzo in lavorazione può rimanere impigliato provocando in questo modo una rottura oppure un contraccolpo del disco abrasivo. Il disco abrasivo potrebbe scagliarsi contro o sfuggire all'operatore a seconda della direzione di rotazione che ha nel momento in cui si blocca. In tali situazioni è possibile che le mole abrasive possano anche rompersi. Il contraccolpo è la conseguenza di un utilizzo non appropriato oppure non corretto dell'elettrotensile e può essere evitato osservando le indicazioni riportate qui di seguito.

- **Tenere sempre ben saldo l'elettrotensile e portare il proprio corpo e le proprie braccia in una posizione che permetta di compensare le forze di contraccolpo. Se possibile utilizzare sempre l'impugnatura supplementare in modo da poter avere maggior controllo su forze di contraccolpi o inavvertite reazioni della coppia che si sviluppano durante la fase di avvio.** Prendendo appropriate misure di precauzione l'operatore può essere in grado di tenere sotto controllo tali forze.
- **Mai avvicinare la propria mano alla zona degli utensili in rotazione.** Nel corso dell'azione di contraccolpo il portautensile o accessorio potrebbe scagliarsi sulla mano dell'utente.
- **Evitare di avvicinare il proprio corpo alla zona dell'elettrotensile in movimento in caso di contraccolpo.** Un contraccolpo provoca lo spostamento improvviso dell'elettrotensile nella direzione opposta a quella della rotazione della mola abrasiva al punto di blocco.
- **Perare con particolare attenzione in prossimità di angoli, spigoli taglienti ecc. Evitare di provocare intralci o far rimbalzare i portautensili o accessori.**

L'utensile in rotazione ha la tendenza a rimanere bloccato in angoli, spigoli taglienti oppure in caso di rimbalzo. Ciò provoca una perdita del controllo oppure un contraccolpo.

- **Non utilizzare lame per seghe a catena o lame dentellate.** Questo tipo di accessori provocano spesso un contraccolpo oppure la perdita del controllo sull'elettrotensile.
- **Se possibile fissare sempre il pezzo da forare con morsetti o con una morsa a vite.**

Particolari avvertenze per operazioni di levigatura e di troncatura:

- **Utilizzare esclusivamente dischi abrasivi di dimensioni consigliate per l'elettrotensile in dotazione e sempre con relativa cuffia di protezione.** Utensili abrasivi che non sono previsti per l'elettrotensile non possono essere sufficientemente protetti e sono pertanto rischiosi.
- **Utilizzare sempre la cuffia di protezione prevista per il tipo di utensile abrasivo utilizzato. La cuffia di protezione deve essere fissata all'elettrotensile e regolata in modo tale da poter garantire la massima sicurezza, cosicché il disco sia esposto il minimo possibile verso l'operatore.** Il riparo deve proteggere l'operatore da frammenti, da contatti accidentali con la mola, e da scintille che potrebbero dare fuoco agli indumenti.
- **Utilizzare i dischi esclusivamente per gli scopi previsti. Per esempio si consiglia di eseguire lavori di levigatura con la superficie laterale di un disco da taglio.** Dischi da taglio sono previsti per l'asportazione di materiale con il bordo del disco. Esercitando pressione ai bordi di questi dischi vi è pericolo di romperli.
- **Utilizzare sempre flange di serraggio in perfetto stato nonché di dimensione e forma corretta per il disco in uso. Le flange sostengono il disco riducendo il più possibile il pericolo di rottura. Flange per dischi da taglio possono essere differenti da flange per dischi abrasivi.**
- **Non utilizzare mai dischi usurati previsti per elettrotensili più grandi.** Dischi previsti per elettrotensili più grandi non sono concepiti per la velocità superiore di elettrotensili più piccoli e possono rompersi.
- **Prestare attenzione al senso di rotazione del disco.** La reazione della coppia avviene nel senso opposto rispetto a quello di rotazione al momento di blocco e ciò potrebbe causare una perdita di controllo dell'utensile.
- **Guidare la macchina in modo tale che scintille e polvere vengano scagliati in direzione opposta all'operatore.** Le scintille causate dal lavoro con l'utensile potrebbero danneggiare capi o provocare ustioni.
- **Non svolgere operazioni di sbavatura e/o taglio su superfici metalliche con vernice ancora fresca.** Sussiste il pericolo di combustione da vernice fresca.
- **Non tagliare materiali infiammabili (legno, plastica, etc.) e pannelli a strati contenenti materiali di questo tipo.** Sussiste il rischio di incendio.
- **Non tagliare o sbavare impianti sotto sforzo.** Sussiste il pericolo di esplosione.
- **Prima di tagliare o sbavare cisterne, tubature, impianti etc. che contengano**

2. NORME DI SICUREZZA PER SMERIGLIATRICI ANGOLARI

o abbiano contenuto in precedenza sostanze infiammabili o facilmente combustibili prendere misure precauzionali. Sussiste il pericolo di incendio ed esplosione.

Ulteriori avvertenze specifiche per lavori di troncatura:

- **Non spingere con forza il disco da taglio nel materiale o esercitare una forte pressione. Non eseguire tagli eccessivamente profondi.** Sottoponendo la mola da taglio a carico eccessivo si aumenta la possibilità che questa si deformi o si blocchi nel materiale da lavorare, creando così pericolo di contraccolpo oppure di rottura del disco stesso.
- **Evitare di porsi in linea con il disco da taglio in lavorazione.** Quando l'operatore manovra il disco nel pezzo in lavorazione in direzione opposta a quella della propria persona, può capitare che in caso di un contraccolpo il disco in rotazione faccia rimbalzare con violenza l'elettrotensile verso l'operatore.
- **Qualora il disco abrasivo da taglio diritto dovesse incepparsi oppure si dovesse interrompere il lavoro per qualsiasi motivo, spegnere l'elettrotensile e tenerlo fermo fino a quando il disco non si sarà completamente fermato. Non tentare mai di estrarre il disco in movimento dal materiale in lavorazione, ciò potrebbe provocare un contraccolpo.** Rilevare ed eliminare la causa del blocco.
- **Mai rimettere l'elettrotensile in funzione con disco ancora nel pezzo in lavorazione. Lasciare che il disco raggiunga la massima velocità e rientrare lentamente nella posizione di taglio.** In caso contrario il disco potrebbe rimanere agganciato, sbalzare dal pezzo in lavorazione oppure provocare un contraccolpo.
- **Dotare pannelli oppure pezzi in lavorazione di dimensioni elevate di un supporto in modo da ridurre il rischio di blocchi o contraccolpi. Pezzi in lavorazione di dimensioni elevate tendono ad incurvarsi sotto l'effetto del proprio peso.** Posizionare il supporto sia nelle vicinanze del taglio di troncatura (su entrambi i lati della lama), sia in quelle del bordo del materiale stesso.
- **Operare con particolare attenzione in caso di "tagli dal centro" in pareti già esistenti oppure in altre parti non visibili.** Il disco potrebbe arrivare a troncature condutture del gas o dell'acqua, linee elettriche oppure arrivare a contatto con oggetti di altro tipo che provocherebbero contraccolpi.

Avvertenze per lavori di levigatura con fogli abrasivi:

- **Non utilizzare mai fogli abrasivi troppo grandi, attenersi alle indicazioni del produttore relative alle dimensioni dei fogli abrasivi da utilizzare.** Fogli abrasivi che dovessero sporgere oltre il platello possono provocare incidenti nonché blocchi, strappi dei fogli stessi oppure contraccolpi.

Avvertenze per lavori di lucidatura:

- **Non lasciare che parti mobili della cuffia o fili ruotino liberamente. Riporre o tagliare qualsiasi filo o parte sporgente.** Questi possono impigliarsi alle dita

3. USO DELLA MACCHINA

dell'operatore o nel materiale da lavoro.

Avvertenze per lavori con spazzole metalliche:

- **Si fa presente che la spazzola metallica perde pezzi di fil di ferro anche durante il comune impiego. Non sottoporre i fili metallici a carico troppo elevato esercitando una pressione troppo alta.** Pezzi di fil di ferro espulsi in aria possono penetrare in indumenti sottili e/o nella pelle.
- **Se l'uso di una cuffia di protezione è necessario, evitare che si impedisce che questa e la spazzola metallica possano toccarsi.** Il diametro delle spazzole può aumentare a causa delle forze di pressione e tramite l'azione di forze centrifughe.

USO DELLA MACCHINA

Questa smerigliatrice è azionata da corrente alternata monofase. Dispone di un doppio isolamento in conformità alle norme EN 60745-1 e IEC 60745 e può essere collegata a prese di corrente con o senza messa a terra. È inoltre conforme alla normativa europea sulla schermatura 2004/108/EC. Questo elettrotensile è indicato per il taglio, la rettifica e la grossatura di metalli senza l'uso d'acqua. I modelli con regolazione elettronica dei giri possono essere adoperati per rettificare e lucidare, utilizzando appositi accessori.

PRIMA DELLA MESSA IN FUNZIONE

- La macchina può avere un riparo montato in fabbrica. Accertarsi che il riparo sia montato correttamente e che sia fissato in modo longitudinale, prima dell'uso iniziale ed ogni uso successivo.
- La macchina può avere una mola montata in fabbrica. Accertarsi che la mola sia montata correttamente e che sia serrata in modo longitudinale, prima dell'uso iniziale ed ogni uso successivo.
- Accertarsi che la tensione di alimentazione corrisponda ai valori indicati sulla targhetta dell'utensile.
- Accertarsi che l'interruttore ON/OFF non sia premuto. La smerigliatrice deve essere collegata all'alimentazione elettrica solo se l'interruttore non è premuto.
- Accertarsi che il cavo elettrico e la spina siano in perfetto stato. Per motivi di sicurezza i cavi elettrici danneggiati devono essere sostituiti solo dall'azienda produttrice o dai centri di servizio autorizzati.



AVVERTENZA: Prima di sostituire qualsiasi accessorio o eseguire operazioni di manutenzione accertarsi sempre che l'utensile sia spento e la spina staccata dalla presa di corrente.

- Assicurarsi che il diametro e lo spessore della mola non siano superiori a quelli indicati nei dati tecnici. La velocità periferica ammissibile, indicata sulla mola, non deve essere inferiore a 80 m/s. Preservare le mole e lavorare attentamente con esse, seguendo le istruzioni del fabbricante.
- In caso l'area di lavoro sia distante da una presa di corrente utilizzare una prolunga più corta possibile.
- Assicurarsi che l'impugnatura supplementare sia montata e fissata correttamente.

ELEMENTI DELLA MACCHINA

Prima di utilizzare la macchina è bene conoscere le sue particolarità e le avvertenze di sicurezza. Usare l'utensile e gli accessori solo per gli scopi indicati in queste istruzioni. L'uso per qualsiasi altra finalità è severamente vietato.

- | | |
|--|--|
| 1 . Impugnatura supplementare | 7 . Flangia interna con anello O |
| 2 . Tasto di bloccaggio dell'alberino | 8 . Disco abrasivo |
| 3 . Griglia di ventilazione | 9 . Flangia esterna per bloccaggio disco |
| 4 . Interruttore di avvio/arresto | 10 . Chiave inglese di servizio |
| 5 . Foro filettato per impugnatura supplementare | 11 . Rotellina di selezione numero giri (solo SH125SF) |
| 6 . Cuffia di protezione | |

Cuffia di protezione

Applicare la cuffia di protezione (6) sul collare alberino come da figura 2.

Le marcature della cuffia di protezione devono corrispondere con le rispettive marcature alla testa ingranaggi. Premere la cuffia di protezione (6) sul collare alberino fino a quando il collare della cuffia di protezione arriva a poggiare alla flangia dell'elettrotensile e ruotare la cuffia di protezione fino a farla innestare percettibilmente in posizione. Adattare la posizione della cuffia di protezione (6) alle esigenze dell'operazione in corso. Per fare ciò, svitare la vite di fissaggio e girare posizione il cappuccio protettivo (6) nella posizione desiderata.

- **Regolare la cuffia di protezione 6 in modo tale da impedire che si abbia una scia di scintille in direzione dell'operatore.**
- **La cuffia di protezione 6 deve essere ruotata solo allentando la vite di fissaggio! In caso contrario evitare assolutamente di continuare ad utilizzare l'elettrotensile e consegnarlo al Centro di Assistenza Clienti.**

Nota bene: Le camme codificatrici applicate alla cuffia di protezione (6) assicurano che all'elettrotensile possa essere montata soltanto una cuffia di protezione adatta.

Cuffia di protezione per la troncatura

- **Per la troncatura di metallo utilizzare sempre la cuffia di protezione (6).**
- **Per la troncatura di pietre utilizzare sempre la cuffia di protezione (6).**

Impugnatura supplementare

- **Utilizzare il vostro elettrotensile soltanto con l'impugnatura supplementare (1).** A seconda della posizione di lavoro che si preferisce, avvitare l'impugnatura supplementare (1) a destra, a sinistra oppure sulla parte superiore della testata ingranaggi.
- **Non eseguire mai nessuna modifica all'impugnatura supplementare. Non continuare mai ad utilizzare un'impugnatura supplementare danneggiata.**

Montaggio degli utensili abrasivi

- **Prima di qualunque intervento sull'elettrotensile estrarre la spina di rete dalla presa.**
- **I dischi abrasivi e quelli da taglio tendono a scaldarsi molto durante la lavorazione. Non afferrarli mai con le mani fintanto che non si siano raffreddati completamente.**

Pulire la filettatura alberino e tutti i componenti da montare.

Per bloccare in posizione e sbloccare gli utensili abrasivi, premere il tasto di bloccaggio dell'alberino (2) per bloccare l'alberino.

- **Azionare il tasto di bloccaggio dell'alberino solo ed esclusivamente quando l'alberino è fermo. In caso contrario l'elettrotensile potrebbe subire dei danni.**

Mola abrasiva da sgrosso e taglio

Tenere sempre in considerazione le dimensioni degli utensili abrasivi. Il diametro del foro deve corrispondere perfettamente e senza gioco alla flangia. Non utilizzare mai né riduzioni né adattatori.

Utilizzando mole da taglio diamantate, accertarsi che la freccia indicante il senso di rotazione applicata sulla mola da taglio diamantata corrisponda al senso di rotazione dell'elettrotensile (vedere freccia indicante il senso di rotazione applicata sulla testata ingranaggi).

La sequenza del montaggio è riportata sulla pagina con la rappresentazione grafica (Fig.1).

Per il fissaggio della mola abrasiva da sgrosso e taglio avvitare il dado di serraggio (9) e stringerlo con la chiave a forcilla.

- **Dopo il montaggio dell'utensile abrasivo verificare prima dell'accessione, se l'utensile abrasivo è montato in modo corretto e può essere girato senza impedimenti. Assicurarsi che l'utensile abrasivo non venga a contatto con la cuffia di protezione o altre parti.**

Disco lamellare

- Per lavori con il disco lamellare montare sempre la cuffia di protezione.

Platorello in gomma

- Per lavori con il platorello in gomma montare sempre la protezione di protezione. La sequenza del montaggio è la stessa del montaggio del disco abrasivo.

Spazzola a tazza/spazzola piatta (a fili intrecciati)

- Per lavori con la spazzola a tazza oppure la spazzola piatta (a fili intrecciati) montare sempre la cuffia di protezione. La spazzola a tazza/spazzola piatta deve poter essere avvitata sulla filettatura alberino in modo da aderire perfettamente alla flangia del mandrino portamola alla fine dell'attacco alberino filettato. Stringere bene la spazzola a tazza/spazzola piatta (a fili intrecciati) utilizzando una chiave fissa.

Utensili abrasivi ammessi

Possono essere utilizzati tutti gli utensili abrasivi riportati nelle presenti Istruzioni per l'uso. La velocità ammessa [min-1] oppure la velocità perimetrale [m/s] degli utensili abrasivi utilizzati devono corrispondere al minimo ai valori riportati nella tabella dei dati tecnici.

3. USO DELLA MACCHINA

Per questo motivo, tenere in considerazione il numero di giri consentito oppure la velocità periferica riportata sull'etichetta dell'utensile abrasivo.

Aspirazione polvere/aspirazione trucioli

- Polveri e materiali come vernici contenenti piombo, alcuni tipi di legname, minerali e metalli possono essere dannosi per la salute. Il contatto oppure l'inalazione delle polveri possono causare reazioni allergiche e/o malattie delle vie respiratorie dell'operatore oppure delle persone che si trovano nelle vicinanze.

Determinate polveri come polvere da legname di faggio o di quercia sono considerate cancerogene, in modo particolare insieme ad additivi per il trattamento del legname (cromato, protezione per legno). Materiale contenente amianto deve essere lavorato esclusivamente da personale specializzato.

- Utilizzate, se possibile, un sistema di aspirazione delle polveri.
 - Provvedere per una buona aerazione del posto di lavoro.
 - Si consiglia di portare una mascherina protettiva con classe di filtraggio P2.
- Osservare le norme in vigore nel Vostro paese per i materiali da lavorare.

USO

Messa in funzione

- **Osservare la tensione di rete! La tensione della rete deve corrispondere a quella indicata sulla targhetta dell'elettro utensile. Gli elettro utensili con l'indicazione di 230 V possono essere collegati anche alla rete di 220 V.**

Utilizzando l'elettro utensile con generatori mobili di corrente che non dispongono di sufficienti riserve di potenza o che non hanno un'adatta regolazione di tensione con amplificazione della corrente di avviamento, è possibile che durante la fase della messa in funzione si abbia un calo della potenza oppure un comportamento atipico. Si prega di accertarsi che il generatore di corrente utilizzato corrisponda ai requisiti richiesti, in modo particolare per quanto riguarda la tensione e la frequenza di rete.

Accendere/spegnere

Per accendere l'elettro utensile, premere leggermente l'interruttore avvio/arresto (4) e poi spingerlo in avanti (Fig.5).

Per bloccare l'interruttore avvio/arresto (4) premere l'interruttore avvio/arresto (4) verso il basso nella parte anteriore, fino allo scatto in posizione.

Per spegnere l'elettro utensile rilasciare l'interruttore avvio/arresto (4) oppure, quando è bloccato, premere l'interruttore avvio/arresto (4) nella parte posteriore brevemente verso il basso e rilasciarlo.

- **Prima di utilizzarli, controllare lo stato degli utensili abrasivi. L'utensile abrasivo deve essere montato perfettamente e deve poter ruotare liberamente. Eseguire una prova di funzionamento per almeno 1 minuto e senza sottoporre a carico.** Non utilizzare mai utensili abrasivi difettosi, ovalizzati oppure che vibrano.

Preselezione del numero di giri (SH125SF)

Tramite la rotellina per la selezione del numero giri (11) è possibile preselezionare la velocità richiesta anche durante la fase di funzionamento.

Il numero di giri può variare da 3 000 a 11 000 giri / min.

4. MANUTENZIONE

RACCOMANDAZIONI D'USO

Durante lavori di taglio non esercitare pressione sul materiale ma smerigliare con un movimento pendolare avanti e indietro sul pezzo.

Per la lavorazione di metalli leggeri utilizzare mole apposite.

E' importante la direzione nella quale si taglia. La macchina si deve avanzare nella direzione contraria alla rotazione del disco. Altrimenti esiste il pericolo che il disco esca in un modo incontrollabile dal taglio.

Quando si tagliano profilati e tubi a sezione rettangolare, si consiglia di cominciare il taglio dal lato minore.

Quando si lavora con un disco da taglio non esercitare pressione, non muovere il disco in modo trasversale alla sezione.

Lavorare con un avanzamento moderato, adatto per il materiale lavorato.

Il miglior rendimento nella smerigliatura di sgrosso si ottiene tenendo la mola inclinata con un angolo di 30°/40° rispetto al piano di lavoro.

Non usare mai mole da troncatrice per la smerigliatura di sgrosso. Si sconsiglia l'impiego di mole di uno spessore superiore a 6 mm.

MANUTENZIONE

AVVERTENZA: Accertarsi che l'utensile sia spento e che la spina sia disinserita prima di effettuare qualsiasi controllo di manutenzione.

Cambio delle spazzole

Questo utensile è fornito con spazzole autofrenanti. Quando queste si esauriscono, la macchina smette di funzionare. In tal caso far sostituire entrambe le spazzole in un centro autorizzato STATUS utilizzando parti originali.

Controlli periodici generali

Controllare regolarmente che tutte le viti siano propriamente fissate. Dopo un uso prolungato potrebbero infatti allentarsi a causa delle vibrazioni. In caso sia necessario cambiare il cavo, recarsi ad un centro assistenza STATUS.

Pulizia

Per poter garantire buone e sicure operazioni di lavoro, tenere la macchina e le aperture di ventilazione sempre pulite. Verificare regolarmente che polvere o altri corpi estranei non siano penetrati nelle aperture di ventilazione o attorno agli interruttori. Utilizzare uno spazzolino morbido per rimuovere la polvere depositatasi. Proteggere gli occhi durante la pulizia indossando occhiali da lavoro. Per pulire la macchina utilizzare un panno umido. È possibile utilizzare un leggero detersivo.

5. CARATTERISTICHE TECNICHE / ACCESSORI

6. DICHIARAZIONE DI CONFORMITÀ CE

AVVERTENZA: Non utilizzare alcool, benzina o altri solventi. È sconsigliato l'uso di detersivi aggressivi per la pulizia delle parti in plastica.

AVVERTENZA: Evitare il contatto della macchina con l'acqua.

IMPORTANTE! Per garantire la sicurezza e l'affidabilità dell'utensile, riparazioni, lavori di manutenzione ed altre regolazioni (incluso il controllo e l'eventuale sostituzione delle spazzole) devono essere effettuate da centri di assistenza STATUS autorizzati, dove vengono adoperate solo parti originali.

Ulteriori informazioni

Leggere attentamente tutte le istruzioni d'uso prima di adoperare questo prodotto. L'azienda produttrice si riserva il diritto di apportare modifiche tecniche senza preavviso. Le specifiche tecniche possono variare da paese a paese.

CARATTERISTICHE TECNICHE / ACCESSORI

Modello	Tensione	Potenza assorbita (W)	Giri a vuoto (GPM)	Diametro del disco	$R_{\text{sc}} (g)$	Avvia-mento lento	Stabil. della velocità	Regol-azione della velocità
SH115L	230-240V ~50Hz	800	11000	Ø115	1,75	-	-	-
SH125L		950	11000	Ø125	2	-	-	-
SH125SF		1100	3000-11000	Ø125	2	-	-	+

Smerigliatrice angolare, cuffia per mole da sbavatura, chiave, istruzioni, scatola.

Informazioni sul rumore e sulle vibrazioni

Emissione acustica (EN 60745)

A- livello di pressione sonora ponderata $L_{pA} = 86 \text{ dB(A)}$, $K_{pA} = 3.0 \text{ dB}$

A- livello di potenza sonora ponderata $L_{wA} = 97 \text{ dB(A)}$, $K_{wA} = 3.0 \text{ dB}$

Emissione di vibrazioni (EN 60745-1)

Valore delle vibrazioni emesse $a_{hAG} = 5,54 \text{ m/s}^2$, Indeterminazione $K = 1,5 \text{ m/s}^2$

DICHIARAZIONE DI CONFORMITÀ CE

Con la presente dichiariamo che **Levigatrice angolare**

STATUS SH115L/SH125L/SH125SF corrisponde alle seguenti direttive UE in materia nella rispettiva versione valida: 2006/42/EC. Per garantire la conformità sono state applicate le seguenti norme armonizzate e anche le norme e disposizioni nazionali che seguono: EN 60745-1:2009 + A11:2010, EN 60745-2-3:2011+A2:2013+A11:2014+A12:2014+A13:2015

Il produttore è il solo responsabile della stesura della presente dichiarazione di conformità: STATUS ITALIA S.R.L., via Aldo Moro, 14/A, 36060 - Pianezze (VI), ITALIA

 Caron Giacinto
L'Amministratore
STATUS ITALIA S.R.L.

1. ОБЩИ НОРМИ ЗА БЕЗОПАСНОСТ

ОБЩИ НОРМИ ЗА БЕЗОПАСНОСТ



ПРЕДУПРЕЖДЕНИЕ!

Прочетете всички предупреждения за опасност и оперативни инструкции. В случай на неспазване на предупрежденията за опасност и оперативните инструкции може да се създаде опасност от токов удар, пожар и/или тежки инциденти.

Запазете всички предупреждения за опасност и оперативни инструкции за бъдещи изисквания

Терминът „електроуреди“ използван в предупрежденията за опасност се отнася за електрически уреди, захранвани от електрическата мрежа (с линия за скачване) и електрически уреди, захранвани с батерия (без линия за скачване).

1) Безопасност на работното място

а) Поддържайте работното място винаги чисто и добре осветено.

Безредието или пък неосветените зони на работното място могат да станат причина за злополуки.

б) Избягвайте да използвате електрическите уреди в помещения подложени на риск за експлозия, в които има наличие на възпламеняващи се течности, газ или прахове. Електроуредите произвеждат искри, които могат да възпламенят праха или газа.

в) Дръжте далече деца или други лица по време на използването на електроуредта. Евентуалните отвлечане на вниманието могат да предизвикат загуба на контрол върху електроуредта.

2) Електрическа безопасност

а) Щепселът за свързване с електрическата мрежа на електроуредта трябва да бъде подходящ за контакта. Избягвайте абсолютно да правите промени в щепсела. Не използвайте щепсели адаптори заедно с електроуреди, които се заземяват. Непроменените щепсели и подходящите контакти за целта намаляват риска от токов удар.

б) Избягвайте контакт с повърхности, свързани със земята като тръби, отоплителни уреди, електрически печки и хладилници. Съществува голям риск от токов удар, в момента когато тялото е поставено на маса.

в) Не съхранявайте електроуредта на място, където може да вали дъжд или на влажно място. Проникването на вода в електроуредта увеличава риска от токов удар.

г) Не използвайте кабела за различни цели от тези предвидените и особено не го използвайте да пренасяте или да закачате електроуредта или пък да измъквате щепсела от контакта на електрическата мрежа.

Не доближавайте кабела до източници на топлина, машинно масло, режещи ръбове нито път до части на машина, която е в движение. Наранените или остъргани кабели увеличават риска от предизвикване на токов удар.

д) Когато се налага да използвате електроуредта навън, използвайте само кабели удължители, които са подходящи за използване във външна

1. ОБЩИ НОРМИ ЗА БЕЗОПАСНОСТ

- среда. Използването на подходящ кабел удължител за външна среда намалява риска от предизвикване на токов удар.
- е) **Когато не може да се избегне използването на електроуред в влажна среда, използвайте прекъсвач за безопасност.** Използването на прекъсвач за безопасност намалява риска от токов удар.
- 3) **Безопасност за хора**
- а) **Важно е да се съсредоточите върху това, което правите и работете внимателно с електроуред по време на работната операция.** Никога не използвайте електроуред ако сте уморени или сте под ефекта на дрога, алкохолни напитки и лекарства. Един миг на разсейване по време на използването на електроуред може да бъде причина за тежки злополуки.
- б) **Обличайте винаги индивидуална предпазна екипировка, както и защитни ръкавици.** Използването на персонално защитно облекло като маска за прахове, безопасни обувки, които не се пързаят, предпазна каска или защитно средство от звукове според вида и приложението на електроуред намалява риска от злополуки.
- в) **Избягвайте неволното пускане на електроуред. Преди да бъде свързан със захранващата електрическа мрежа и/или презареждащата се батерия, преди да го вземете или пък преди да започнете да го пренасяте уверете се, че електроуредът не е включен.** Държането на пръста върху прекъсвача, докато се пренася електроуред или свързването с електрическата мрежа с включен прекъсвач създава опасни ситуации и може да предизвика сериозни злополуки.
- г) **Преди да запалите електроуред махнете уредите за регулиране или английския ключ.** Един аксесоар или един ключ, който се намира на въртящата се част на машината може да предизвика сериозни злополуки.
- д) **Избягвайте неправилна позиция на тялото. Постарайте се да застанете в сигурна позиция и да пазите равновесие при всяко положение.** По този начин е възможно да контролирате по-добре електроуред в случай на неочаквани ситуации.
- е) **Обличайте подходящи дрехи.** Не се обличайте в широки дрехи, нито пък носете гривни и верижки. Дръжте косата си и дрехите си и ръкавиците си далеч от движещи се части. Широки дрехи, бижута или дълга коса могат да се вмъкнат в движещи се части.
- ж) **Ако случайно е предвидено монтирането на аспиратори на прах или събиране на прах, направете така, че те да бъдат свързани и се използват правилно.** Използването на аспиратор за прах може да доведе до достигане на опасни ситуации, дължащи се на праха.
- 4) **Внимателно боравене и правилно използване на електроуредите**
- а) **Не подлагайте машината на свръхнатоварване.** За вашата работа използвайте изключително електроуред изключително предвиден за случая. С подходящ електроуред се работи по-добре и по-сигурно в областта на неговата способност за дадената услуга.

2. ИНСТРУКЦИИ ЗА БЕЗОПАСНОСТ СПЕЦИФИЧНИ

- б) **Никога не използвайте електроуреди с дефектни прекъсвачи.** Един електроуред със счупен прекъсвач е опасен и трябва да бъде поправен.
- в) **Преди да пристъпите до операции по регулиране на машината, преди да подмените някой от аксесоарите, или преди да оставите машината в края на работата винаги изваждайте щепсела от контакта с електрическата мрежа и/или извадете зареждащата се батерия.** Тази предпазна мярка избягва, щото електроуредът може да се задейства неволно.
- г) **Когато уредите не се използват съхранявайте ги извън обсега на деца.** Електроуредите не трябва да се използват от лица, които не са свикнали да ги използват, и които не са чели настоящите инструкции. Електроуредите са опасни машини, когато се използват от лица, които нямат достатъчно добър опит с тях.
- д) **Извършвайте поддръжката на електроуред, действайки с необходимото старание.** Уверете се, че подвижните части на машината функционират перфектно, и че нищо не им пречи, че няма счупени или повредени части до такава степен, че да ограничат функционирането на електроуред. Преди да започнете да работите, поправете повредените части. Многобройни злополуки се причиняват от електроуреди, чиято поддръжка е направена небрежно.
- е) **Поддържайте режещите инструменти винаги наточени и чисти.** Режещите инструменти поддържани с особено внимание и с наточени режещи части засичат по-рядко и са по-лесни за управление.
- ж) **Използвайте електроуредите, аксесоарите към тях, инструментите за специално приложение и др. винаги като се придържате към настоящите инструкции.** Постъпвайки така имайте предвид винаги работните условия и операциите, които трябва да извършвате. Използването на електроуреди за различна употреба от предназначението им, може да създаде опасни ситуации.
- 5) **Техническа помощ**
- а) **Електроуредът трябва да бъде даден за поправка изключително на специализиран персонал и само ако се използват оригинални резервни части.** По този начин може да бъде запазена безопасността на електроуред.

ИНСТРУКЦИИ ЗА БЕЗОПАСНОСТ СПЕЦИФИЧНИ

Основни инструкции за сигурност при работи по шлайфане, шлайфане с шкурка, работа с метални четки и рязане

- Този електроуред е предвиден да се използва като шлайф, шлайф с шкурка, метална четка и за рязане. Обърнете внимание на всички предупреждения за опасност, инструкции, представяния и данни, които се получават с електроуред. В случай, че не обърнете внимание на тези инструкции има риск от токов удар, пожар и/или сериозни инциденти.

- **Този електроуред не е пригоден за излъскване.** Ако използвате уреда за несвойствена употреба могат да възникнат опасни ситуации и инциденти.
- **Не използвайте аксесоари, които производителят изрично не е предвидил и препоръчал за този електроуред.** Фактът, че даден аксесоар може да се постави на вашия електроуред не е гаранция за сигурна работа.
- **Допустимият брой на оборотите колкото е посочено на електроуред.** Аксесоар, който се върти по-бързо отколкото е одобрено може да се счупи и парчетата да се разхвърчат.
- **Външният диаметър и дебелината на аксесоара трябва да съответстват на характеристиките на електроуред.** В случай на използване на аксесоари с погрешни размери няма да бъде възможно те да бъдат наблюдавани или контролирани.
- **Абразивни дискове, фланци или други аксесоари трябва да прилепват плътно до шпиндела на електроуред.** Аксесоари, които не прилепват плътно до шпиндела не се въртят правилно, вибрират силно и могат да предизвикат загуба на контрол.
- **Никога не използвайте повредени аксесоари.** Преди всяка употреба проверявайте аксесоарите и проверете дали по абразивните дискове няма разкъсвания или наранявания, както и че по металните четки няма повредени или откъснати частици. Ако електроуредът или аксесоарът паднат на земята, уверете се, че не са повредени. След като проверите и монтирате аксесоарите оставете електроуред да работи една минута на максимални обороти като стоите настрана и помолите и останалите намиращи се наблизо хора да се отстранят.
- **Носете предпазно облекло.** Според използването на уреда носете предпазна маска за цялото лице, за очите или очила. ако е необходимо носете противопрахова маска, наушници, ръкавици или престилка, която дави предпази от малки частици. Очите трябва да бъдат защитени от намиращите се в околната среда частици. Противопраховата маска трябва да бъде в състояние да филтрира прахта при работа. Излагането на твърде силен шум по време на работа може да доведе до загуба на слуха.
- **Избягвайте други хора да се доближават до работното поле.** Всеки, който се доближава до работното поле трябва да носи необходимите предпазни средства. Части от обекта на обработка или счупени части могат да полетят и да причинят инциденти и извън зоната на работа.
- **Дръжте уреда винаги за изолираната повърхност когато има вероятност той да достигне до електрически кабели и до собствения проводник.** Контактът с кабел под напрежение може да предаде напрежение на металните части на уреда и да причини токов удар.
- **Захранващият кабел трябва да бъде далеч от аксесоарите или от въртящи се елементи.** Ако се изгуби контрол над електроуред има опасност да се нарани захранващия кабел и ръката ви да бъде в контакт с въртящи се елементи или аксесоари.

- **Преди да оставите електроуред изчакайте той да спре напълно.** Накрайникът може да предизвика загуба на контрол над уреда.
 - **Никога не премествайте уреда ако той работи.** При неволен контакт той може да захване дрехите или косата ви и да причини наранявания.
 - **Почиствайте редовно вентилационните отвори на електроуред.** Вентилаторът на мотора събира прах и това може да създаде опасност от електрическо естество.
 - **Не използвайте никога аксесоари, които изискват течни охладители.** Използването на вода или други охлаждащи течности може да причини токов удар.
- Откат и предупреждения за опасност**
- **Откатът е внезапна реакция поради захващане или блокиране на въртящ се аксесоар като абразивен диск, метална четка и т.н.** Закачането или блокирането на аксесоарите предизвиква внезапно спиране на въртенето. В този случай операторът вече не е в състояние да контролира електроуред и се получава отскачане в обратна посока на въртенето на аксесоара. Ако например абразивният диск бъде захванат или блокиран в обработвания предмет, той може да се счупи или да се получи откат. Абразивният диск се приближава или се отдалечава от оператора според посоката на въртене в момента на блокиране. В такива ситуации е възможно абразивния диск да се счупи. Откатът е последствие от несвойствената употреба на електроуред. Това може да се избегне като се вземат подходящи мерки за сигурност.
 - **Дръжте винаги здраво електроуред и дръжте ръцете си в позиция, която може да компенсира силата на отката.** Ако е възможно използвайте допълнителна дръжка за да имате възможно най-добър контрол над откатите или възможност за реакция когато машината достигне режим на пълно натоварване. Ако вземе необходимите предпазни мерки операторът може да бъде в състояние да държи под контрол силите на отката и да има възможност да реагира.
 - **Не приближавайте ръката си до зоната на въртящите се приспособления.** При откат въртящите се аксесоари могат да минат през ръката ви.
 - **Не приближавайте тялото си към зоната на отката на електроуред.** Откатът предизвиква внезапно преместване на електроуред в противоположна на въртенето на абразивния крайник посока.
 - **Работете с особено внимание в близост до ръбове, режещи ръбове и т.н.** Погрижете се да попречите на приспособленията и аксесоарите да отскочат от обекта на работа или да останат блокирани. Въртящите се приспособления имат тенденция да останат блокирани на ъгли, режещи ръбове или в случай на откат. Това предизвиква загуба на контрол или откат.
 - **Не използвайте верижни триони или назъбени остриета.**

2. ИНСТРУКЦИИ ЗА БЕЗОПАСНОСТ СПЕЦИФИЧНИ

Специални предупреждения за опасност при операции по изглаждане и разрязване

- **Използвайте абразивни крайници, които са специално предназначени за този електроуред и винаги с предпазен маншет, предвиден за всеки абразивен крайник.** Абразивни крайници, които не са предвидени за електроуред не могат да бъдат ефективни и са несигурни.
- **Абразивните крайници могат да бъдат използвани изключително за препоръчаните приложения.** Напр. никога не извършвайте изглаждане на странична повърхност с диск за право разрязване. Абразивните режещи дискове са предвидени за разрязване с борда на диска. При странично натоварване на абразивните дискове има опасност от счупване.
- **За избрания абразивен диск използвайте винаги заключващия ключ с правилен размер.** С това заключване се предотвратява риска от счупване на абразивния диск. Възможно е да има разлика между фланеца на режещия диск и други абразивни дискове.
- **Никога не използвайте режещи дискове предназначени за по-големи електроуреди.** Дисковете предвидени за по-големи електроуреди не са пригодени за високи скорости и могат да се счупят.

Допълнителни предупреждения за специфичен риск при рязане

- **Избягвайте блокирането на режещия диск или не употребявайте силен натиск.** Не правете особено дълбоки разрези. Като подлагате режещия диск на извънредно натоварване се увеличава риска от блокиране и откат, или счупване на абразивния диск.
 - **Не се приближавайте към въртящия се диск.** Когато операторът маневрира с диска по работното поле в посока обратна на своята позиция в случай на откат на диска той може да отскочи силно към оператора.
 - **Никога не оставяйте работещия електроуред докато той още е на работното поле.** Преди да продължите рязането проверете дали диска е достигнал максимална скорост.
 - **Осигурете подходяща опора или работни полета с по-големи размери за да се намали риска от блокиране на режещия диск.** Материалите с по-големи размери могат да се огънат под собствената си тежест. Подпрете материала с подходящи подпори както в близост до разрязването, така и по края.
 - **Работете с особено внимание при разрези в центъра или трудно видими части.** При началото на рязането абразивният диск може да направи откат ако достигне тръби за газ или вода, електрически кабели или други предмети.
- Предупреждения за опасност при изглаждане със шкурка**
- **Не използвайте твърде големи листове шкурка.** Листовете шкурка, които стърчат могат да причинят блокиране или откат на уреда.
- Предупреждения за опасност при работа с метални четки**
- **Имайте предвид, че металната четка изпуска частици дори и по време на нормална работа.** Не подлагайте металните четки на високо натоварване със силен натиск. Метални частици могат да повредят облеклото или кожата.

3. ОПИСАНИЕ НА ФУНКЦИОНИРАНЕТО 4. ТЕХНИЧЕСКИ ДАННИ

ОПИСАНИЕ НА ФУНКЦИОНИРАНЕТО

Прочетете всички предупреждения за опасност и оперативните инструкции. В случай на неспазване на предупрежденията за опасност и оперативните инструкции може да се създаде опасност от токов удар, пожари и/или тежки злополуки.

Молим ви да отворите страницата, където се намира изобразена схематично машината и я оставете отворена докато се чете наръчника за инструкции за ползване.

Използване в съответствие с нормите.

Този електроинструмент е предназначен за рязане, шлифване и четкане предимно на метали, без използването на вода. При рязане трябва да се използва предпазител. със съответните абразивни приставки електроуредът може да бъде използван за шлайфане с шкурка.

Илюстрирани съставни части

Номерирането на илюстрираните съставни части се отнася до илюстрацията на електроуред, който се намира на страницата с графично представяне.

1. Допълнителна дръжка
2. Бутон за блокиране
3. Вентилационен отвор
4. Прекъсвач за пускане / спиране
5. Отвор с резба за допълнителна дръжка
6. Предпазна капачка
7. Вътрешен фланец
8. Абразивен диск
9. Външен фланец за блокиране на диска
10. Английски сервисен ключ
11. Бутон за въртене на дръжката (SH125SF)

ТЕХНИЧЕСКИ ДАННИ

Модел	Напрежение	Капацитет (W)	Брой обороти (празен ход) (Мин ⁻¹)	Диаметър на диска (мм)	Тегло (кг)	Бавно пускане	Стабилизатор на скорост.	Регулиране на скорост.
SH115L	230-240V ~50Hz	800	11000	Ø115	1,75	-	-	-
SH125L		950	11000	Ø125	2	-	-	-
SH125SF		1100	3000-11000	Ø125	2	-	-	+

Информации за шума и вибрациите

Стойности измерени в съответствие с нормата EN 60745

Ниво на акустично налягане $L_{pA} = 86$ dB(A), Колебание на мярката $K_{pA} = 3.0$ dB

Ниво на звукова мощност $L_{WA} = 97$ dB(A), Колебание на мярката $K_{WA} = 3.0$ dB

Общи стойности на колебанията (EN 60745-1)

Стойност на колебанията $a_{hAG} = 5,54$ m/s², Колебание на $K = 1,5$ m/s²

МОНТАЖ



Преди за извършване дейности по електроуред изключете щепсела от електрическата мрежа

Предпазна капачка

Поставете предпазната капачка (6) както е показано на фигура 2. Маркировката на капачката трябва да съответства на маркировката на главата.

Натиснете предпазната капачка (6) докато съвпадне с фланеца и застане в необходимата позиция.

Регулирайте предпазната капачка (6) в удобна позиция. Затегнете фиксиращия винт и завъртете предпазната капачка (6) в исканата позиция.

- Регулирайте капачката така, че да не се получат искри по посока на оператора. Възможно е да се промени силата на заключване на предпазната капачка (6) със затягане или отпускане на болта. Обърнете внимание на леглото на предпазната капачка (6) и го регулирайте.
- Предпазната капачка (6) трябва да се върти само когато винтът е свален. В противен случай не използвайте уреда и се обърнете към Центъра за обслужване на клиенти.

Забележка: зъбците на предпазната капачка (6) позволяват монтиране на капачка само за конкретния електроуред. Предпазна капачка за рязане.

- **За рязане на метал използвайте винаги предпазна капачка (6)**
- **За рязане на камък използвайте винаги предпазна капачка (6)**

Допълнителна дръжка

- **Използвайте вашия електроуред само с допълнителна дръжка (1)**

Според предпочитаната работна позиция поставете допълнителната дръжка (5) отляво, отдясно, отляво или отгоре.

- **Никога не правете промени по допълнителната дръжка.**

Никога не използвайте повредена дръжка.

Монтаж на абразивни приставки

- **Преди за извършване дейности по електроуред изключете щепсела от електрическата мрежа**

- **Абразивните и режещите дискове се загряват много по време на работа.**

Никога не ги хващайте с ръка докато не се охладят напълно.

Почистете крайника и всички аксесоари.

За да блокирате и разблокирате абразивните приставки натиснете копчето за блокиране (2) за да блокирате приставката.

Натискайте копчето за разблокиране само когато машината е спряла.

В противен случай могат да се причинят повреди.

Абразивен диск за изтъняване и рязане

Винаги имайте предвид размерите на абразивните приспособления.

Диаметърът на отвора трябва да съответства напълно и да не играе на фланеца. Никога не използвайте адаптори.

Когато използвате диамантени дискове се уверете, че посоката на въртене на прилагане съответства на посоката на въртене на електроуред (посочено е на самия аксесоар).

Последователността на монтиране е посочена на страницата с графиката (Фигура 1).

За фиксиране на диска за изтъняване и рязане отвинтете болта за заключване (9) и го затегнете с ключ.

- **След монтиране на абразивното приспособление се уверете, че монтажът е правилен и при въртенето няма проблеми. Уверете се, че абразивният диск не е в контакт с предпазната капачка или други части.**

В близост до фланец (7) се намира пластмасов елемент (пръстен O).

В случай че този пръстен е дефектен или липсва трябва да го смените преди да бъде монтиран фланец (7).

Гумена подложка

- **При работа с гумена подложка монтирайте винаги предпазна капачка (6).** Последователността на монтажа е посочена на страницата с графичното представяне.

Изпъкнала четка / Плоска четка (усукани нишки)

- **За работа с изпъкнала или плоска четка задължително монтирайте предпазната капачка.** Четката трябва да бъде поставена на крайника и да прилепва плътно към фланеца. Стегнете добре като използвате съответния ключ.

Разрешени абразивни приспособления

Могат да бъдат използвани приспособленията посочени в инструкцията за употреба.

Допустимата скорост (Мин⁻¹ (или периферната скорост (м/с) на абразивните дискове трябва да съответства на минималната стойност посочена в таблицата с техническите данни. Поради тази причина имайте предвид допустимия брой обороти или периферната скорост посочена на етикета на абразивния диск.

Аспириране на прах/частици

- Прах и материали като бои съдържащи олово, някои видове дървесина, минерали и метали могат да бъдат вредни за здравето. Контактът или вдишването на прах могат да причинят алергични реакции и/или заболявания на дихателните пътища на оператора или хората, които се намират в близост. Определени прахове, като дървесен прах от бук или дъб се считат за канцерогенни, особено ако има добавки към дървесината (бои, лакове). Материали съдържащи азбест трябва да бъдат обработвани изключително от специализиран персонал.

- Ако е възможно използвайте система за аспириране на прах
 - Проветрявайте работното място
 - Препоръчва се да носите предпазна маска с клас на филтриране P2
- Спазвайте нормите на вашата страна за обработване на материали.

УПОТРЕБА**Включване**

- **Наблюдавайте напрежението на мрежата! Напрежението на мрежата трябва да съответства на посоченото на табелката на електроуредата. Електроуредите с индикация 230V могат да бъдат свързани с мрежа 220V.**

Когато използвате електроуред с мобилен генератор на ток, който не разполага с достатъчно резерв от мощност или няма подходящо регулиране на напрежението, е възможно по време на включването да падне мощността или да се получи нетипично поведение на уреда. Молим да се уверите, че използвания генератор на ток съответства на изискванията относно напрежението и честотата на мрежата.

Пускане/спиране

За пускане на електроуредата натиснете прекъсвача за пускане/спиране (4) и го дръжте натиснат (Фиг.4).

За да блокирате прекъсвача за пускане / спиране (4) го натиснете надолу в предната част докато щракне.

За да изключите електроуредата натиснете отново прекъсвача за пускане/спиране (4), когато е блокиран натиснете прекъсвача за пускане/спиране (4) за кратко надолу.

- Преди да ги използвате проверете състоянието на абразивните дискове. Направете проба поне 1 минута без да натоварвате. Никога не използвайте повредени, изтрити дискове или такива, които вибрират.

Избор на броя обороти (SH125SF)

Чрез регулатора за избор на броя обороти (11) е възможно да се избере скоростта дори по време на работа. Скорост варира от 3000 до 11 000 об/мин.

ОПЕРАТИВНИ УКАЗАНИЯ

- Блокирайте обработвания материал по такъв начин, че да е стабилен.
- Не подлагайте електроуредата на високо натоварване.
- След продължително натоварване оставете уреда да работи още няколко минути за да се охлади.
- Абразивните и режешите дискове се загреват много по време на работа. Никога не ги хващайте с ръка докато не се охладят напълно.

Работи по изтъняване Никога не използвайте режещи дискове за изтъняване. С ъгъл от 30° до 40° се постигат най-добри резултати при изтъняване. С умерено налягане премествайте уреда от едната страна на другата.

Тази процедура е с цел да се избегне прекаленото загряване на материала.

Ламелен диск С ламелния диск могат да се обработват изпъкнали и профилирани повърхности. Ламелните дискове са по-издръжливи, по-малко шумни и работните им температури са по-ниско от тези на традиционните абразивни дискове.

Рязане на метал При рязане започнете леко като пригаждате материала за рязане. Не упражнявайте никакъв натиск върху диска, избягвайте неправилни

ъгли. Не се опитвайте да усилвате страничния натиск на абразивните дискове докато се въртят по инерция. С електроуредата трябва винаги да се работи в две посоки. Машината може да бъде изхвърлена по неконтролируем начин извън линията на рязане.

ПОДДРЪЖКА И ТЕХНИЧЕСКА ПОМОЩ

Подмяна на четките Когато четките се износят, двете четки трябва да се подменят едновременно с оригинални четки в сервиз на STATUS за гаранционна извънгаранционна поддръжка.

Обща проверка Проверявайте редовно всички крепежни елементи и се уверете, че те са здраво притегнати. В случай, че някой от винтовете се е разхлабил, го затегнете незабавно, за да избегнете рискови ситуации. Ако захранващият кабел е повреден, замяната трябва да се извърши от производителя или негов сервизен специалист, за да се избегнат опасностите от замяната.

Почистване За безопасна работа поддържайте винаги чисти машината и вентилационните отвори. Редовно проверявайте дали във вентилационната решетка близо до електродвигателя или около превключвателите не е проникнал прах или чуждитела. Използвайте мека четка за да отстраните събралия се прах. Ако корпусът на машината се нуждае от почистване, избършете го с мека влажна кърпа. Може да се използва слаб препарат за миене.

Предупреждение: Не се допуска употребата на спирт, бензин или други разтворители.

Предупреждение: Не се допуска влизането на вода в контакт с машината.

ВАЖНО! За да се осигури безопасната работа с електроинструмента и неговата надеждност, всички дейности по ремонта, поддръжката и регулирането трябва да се извършват в оторизираните сервизи на STATUS с използване само на оригинални резервни части.

ДЕКЛАРАЦИЯ ЗА СЪОТВЕТСТВИЕ

STATUS ITALIA S.R.L. заявява, че долуизброените продукти с марка STATUS: Ъглошлифовъчни машини, модел: SH115L / SH125L / SH125SF са произведени в съответствие със следните директиви на ЕС:2006/42/ЕС. Също така съответстват на изброените стандарти: EN 60745-1:2009 + A11:2010 EN 60745-2-3:2011+A2:2013+A11:2014+A12:2014+A13:2015

Техническата документация се пази при производителя: STATUS ITALIA S.R.L. via Aldo Moro, 14/A, 36060 - Pianezze (VI), ITALY

Карон Джиасинто
Директор
STATUS ITALIA S.R.L.



Дистрибутор на територията на България: Спринтер ЕООД.
Адрес по регистрация: България, гр. София 1000, бул. Христо Ботев 28, ет. 7.
Адрес за кореспонденция: България, гр. София 1303,
бул. Тодор Александров №28, магазин №4. Уебсайт: www.status-tools.com,
E-mail: office@status-tools.eu. Тел. 02 870 51 98

ОСНОВНЫЕ ПРАВИЛА БЕЗОПАСНОСТИ



ВНИМАНИЕ! Прочтите всю инструкцию до конца. Незнание правил пользования может привести к травмам, или выходу изделия из строя.

СОХРАНИТЕ ЭТУ ИНСТРУКЦИЮ

1) РАБОЧЕЕ МЕСТО

- Рабочее место должно быть чистым и хорошо освещённым.
- На рабочем месте не должны находиться легковоспламеняющиеся жидкости, в воздухе должны отсутствовать пыль и газы. В процессе работы возможно искрение инструмента, что может привести к взрыву или возгоранию.
- В зоне работы должны отсутствовать дети и посторонние лица.

2) ЭЛЕКТРОБЕЗОПАСНОСТЬ

- Вилка подключения прибора должна отвечать штепсельной розетке. Не производите на вилке никаких изменений.
- Избегайте контакта с заземленными поверхностями, трубами, системами отопления, электроплитами и холодильниками.
- Защищайте изделие от воздействия дождя и сырости. Проникновение воды в корпус изделия может привести к поражению током.
- Не используйте кабель не по назначению, не используйте его для подвешивания или переноски изделия. Оберегайте кабель от воздействия высоких температур, масла, острых кромок или движущихся частей инструмента. Поврежденный или запутанный кабель может стать причиной поражения электротоком.
- При работе с изделием под открытым небом используйте только такой удлинительный кабель, который разрешен для наружного применения.

3) ЛИЧНАЯ БЕЗОПАСНОСТЬ

- Будьте внимательны, следите за тем что Вы делаете и выполняйте работу обдуманно. Запрещается работать изделием, если вы больны или находитесь в состоянии алкогольного или наркотического опьянения. Это может привести к травме.
- Одевайтесь правильно. Одежда не должна быть излишне свободной. Снимите ювелирные украшения и спрячьте волосы под головной убор.
- Избегайте случайного включения изделия. Перед тем как вставить вилку в розетку убедитесь, что выключатель изделия стоит в положении «Выкл».
- Перед включением изделия убедитесь в том, что из него удалены инструменты для регулировки и установки оснастки (ключи и т.п.).
- Обеспечьте себе удобное и устойчивое положение во время работы. Потеря равновесия может привести к травме
- Применяйте средства индивидуальной защиты. Обязательно одевайте защитные очки. При необходимости применяйте пылезащитную маску, нескользящую обувь и защитный шлем.

4) ЭКСПЛУАТАЦИЯ ИЗДЕЛИЯ

- Используйте тиски или иные зажимы для надежной фиксации заготовки.
- Не перегружайте изделие. Используйте для определенных видов работ только предназначенный для них инструмент. Использование специализированного инструмента сделает Вашу работу легкой и безопасной.
- Не используйте изделие с неисправным выключателем. Изделие, не поддающееся включению или выключению должно быть немедленно отремонтировано.
- Обязательно отключайте изделие от сети во время проведения операций по его регулировке и смене оснастки. Это поможет предотвратить случайное включение изделия.
- Храните изделие в местах, недоступных детям, и лицам, не имеющим навыков работы.
- Тщательно ухаживайте за изделием, применяемая с ним оснастка должна быть чистой и в рабочем состоянии. Хорошо заточенная оснастка сделает Вашу работу быстрой и качественной.
- Проверяйте легкость хода, целостности и отсутствие повреждений на подвижных и корпусных деталях изделия. В случае обнаружения неисправности, прекратите эксплуатацию изделия и немедленно сдайте его в ремонт.
- Используйте принадлежности и оснастку рекомендованную для данного вида изделия.

5) СЕРВИС

- Сервисное обслуживание изделия должно проводиться в авторизованных сервисных центрах. Обслуживание неквалифицированными лицами может привести к травмам и выходу изделия из строя.
- При ремонте и сервисном обслуживании должны применяться запчасти и расходные материалы поставляемые в сервисный центр производителем изделия. Использование неоригинальных запасных частей может нарушить нормы электробезопасности изделия.

ПРАВИЛА БЕЗОПАСНОСТИ ПРИ РАБОТЕ С УГЛОШЛИФМАШИНАМИ

Общие указания безопасности по шлифованию абразивным диском, шлифованию наждачным диском, чистке проволочными щетками, полированию и резке абразивным диском:

- Настоящий электроинструмент может использоваться в качестве шлифовальной машины с абразивным диском, наждачной бумагой и проволочными щетками, также в качестве машины для резки абразивным диском.
- Настоящий электроинструмент не пригоден для полирования. Выполнение работ, для которых настоящий электроинструмент не предусмотрен, может стать причиной его поломки или травмы.
- Не пользуйтесь принадлежностями, которые не разрешены и не рекомендуются производителем специально для данного электроинструмента.

- Допустимое число оборотов принадлежности должно быть не менее указанного на электроинструменте максимального числа оборотов. Принадлежности, которые вращаются со скоростью, превышающей их номинальную скорость, могут сломаться и разлететься в пространстве.
- Наружный диаметр и толщина рабочего инструмента должны быть не менее указанных размеров Вашего электроинструмента. Принадлежности неподходящего размера не могут быть защищены или контролироваться в достаточной степени.
- Шлифовальные диски, затягивающие фланцы, эластичные диски или другие принадлежности должны точно сидеть на шпинделе вашего электроинструмента. Принадлежности, неточно сидящие на шпинделе электроинструмента, вращаются неравномерно, сильно вибрируют и могут привести к потере контроля.
- Не применяйте поврежденные принадлежности. Перед каждым использованием проверяйте оснастку - шлифовальные диски на зазубрины и трещины, эластичные диски на трещины, разрывы или сильный износ, проволочные щетки на незакрепленные или поломанные проволочки. При случайном падении электроинструмента или оснастки, проверяйте инструмент на повреждение или установите неповрежденную оснастку.
- Применяйте средства индивидуальной защиты. В зависимости от конкретного случая, пользуйтесь защитным щитком для лица или защитными очками. В случае необходимости используйте противопылевой респиратор, средства защиты слуха, защитные печатки или специальный халат, который задерживает мелкие частицы, разлетающиеся от шлифовальной насадки или обрабатываемой детали. Средства для защиты глаз должны защищать их от различных летящих предметов, возникающих при различных операциях. Противопылевой респиратор и газозащитные маски органов дыхания должны задерживать при работе пыль. Продолжительное воздействие сильного шума может привести к потере слуха.
- В случае потенциальной возможности касания режущей принадлежности до скрытой электропроводки или до собственного питающего шнура, держите электроинструмент только за изолированные поверхности рукояток. Контакт принадлежности с токоведущим проводом ставит под напряжение также открытые металлические части электроинструмента и может привести к поражению оператора электрическим током.
- Держите шнур питания в стороне от вращающейся оснастки. При потере контроля над электроинструментом, шнур может быть разрезан или захвачен вращающейся частью оснастки.
- Никогда не выпускайте электроинструмент из рук, пока рабочая часть полностью не прекратит вращаться. Вращающаяся принадлежность может задеть обрабатываемый материал и в результате Вы потеряете контроль над электроинструментом.

- Регулярно очищайте вентиляционные отверстия электроинструмента. Вентилятор электродвигателя засасывает пыль в корпус, а чрезмерное скопление металлической пыли может привести к опасности от поражения электрическим током.
- Не пользуйтесь электроинструментом вблизи горючих материалов. Искры могут воспламенить эти материалы.
- Не применяйте принадлежности, работа с которыми требует использование охлаждающих жидкостей. Применение воды или других охлаждающих жидкостей может привести к поражению или удару электрическим током.
- При работе в пыльной среде вентиляционные отверстия машины следует поддерживать в чистоте. Электроинструмент будет перегреваться при нарушении охлаждения вследствие забитых пылью вентиляционных отверстий.

Указания по безопасности работы

Обратный удар (отскок) и связанные с ним указания по безопасности

Обратный удар - это внезапная реакция, являющаяся следствием заклинивания или блокировки принадлежности, например шлифовального диска, эластичного диска, проволочной щетки и т.п.

Заклинивание или блокировка ведет к внезапной остановке вращения диска, что, со своей стороны, толкает неконтролируемый электроинструмент в сторону, противоположную направлению вращения рабочего инструмента в точке заклинивания.

Например, если шлифовальный диск заклинит или блокирует в деталь (заготовку), то погруженная в заготовку кромка шлифовального диска застревает, вследствие чего диск может сломаться или спровоцировать отскок.

Шлифовальный диск отскакивает в сторону оператора или от него, в зависимости от направления вращения диска в месте блокировки.

В этом случае шлифовальный диск может сломаться. Обратный удар является следствием неправильного использования и/или неправильной эксплуатации или условий работы с электроинструментом, и может быть предотвращен благодаря нижеописанным мерам предосторожности.

- Держите крепко электроинструмент, примите подходящую позу и поставьте руки таким образом, чтоб Вы смогли противодействовать силе обратного удара. Всегда используйте дополнительную рукоятку при ее наличии, чтобы как можно лучше противодействовать и осуществлять контроль над силой отскока или реактивным моментом при запуске.
- При обработке углов, острых кромок и проч., работайте с повышенным вниманием. Не позволяйте диску отскакивать или блокироваться в заготовке. При обработке углов и острых кромок имеется вероятность заклинивания вращающегося диска, что может привести к потере контроля или отскоку.
- Не используйте циркулярные диски для обработки древесины. Данные принадлежности часто являются причиной отскока или потери контроля над электроинструментом.
- Фиксируйте положение обрабатываемой детали в тисках или иным способом.

ОПИСАНИЕ

- | | |
|--|--|
| 1. Рукоятка передняя | 7. Фланец внутренний |
| 2. Кнопка фиксатора шпинделя | 8. Абразивный диск |
| 3. Вентиляционные отверстия | 9. Внешний фланец |
| 4. Клавиша выключателя | 10. Ключ |
| 5. Резьбовое отверстие для установки передней рукоятки | 11. Электронный регулятор оборотов (SH125SF) |
| 6. Кожух защитный | |

СБОРКА И РЕГУЛИРОВКА

Перед сборкой и регулировкой обязательно отключите изделие от сети!

ВНИМАНИЕ! Изделие комплектуется защитным кожухом, предназначенным для работы шлифовальными дисками. Для работы отрезным диском необходимо приобрести и установить на изделие специальный закрытый с двух сторон кожух, соответствующий нормам безопасности EN 60745 - 2 - 3. Эксплуатация изделия со снятым защитным кожухом категорически запрещена!



Перед началом работы проверьте надежность фиксации защитного кожуха

Установка кожуха

- Для монтажа кожуха установите изделие на ровную поверхность шпинделем вверх.
- Отверните на несколько оборотов винт крепления кожуха. Вставьте выступ на кольце кожуха в паз на шейке редуктора. Опустите кожух вниз до упора и поверните его на 180°.
- Установите кожух в наиболее удобное для Вас положение. Затяните винт крепления. Проверьте надежность крепления кожуха, он должен плотно сидеть на шейке редуктора и не поворачиваться при нажиме.

Регулировка положения кожуха

- Отверните на несколько оборотов винт крепления.
- Поверните кожух в положение, наиболее удобное для работы.
- Затяните винт крепления.

Установка передней рукоятки

Вставьте резьбовую часть рукоятки в одно из 3-х отверстий (5) на корпусе редуктора (выбрав наиболее удобное для данного вида работ положение) и плотно затяните винт вращающую рукоятку по часовой стрелке.

Установка и замена шлифовального диска

- Установите изделие на плоскую поверхность.
- Вращая одной рукой шлифовальный диск, другой нажмите на кнопку фиксации шпинделя (2), после того, как фиксатор остановит диск, отверните наружный фланец (9) ключом (10), вращая ключ против часовой стрелки.

- Снимите наружный фланец крепления шлифовального круга (8), внутренний фланец (7) не снимайте.
- Проверьте плотность посадки внутреннего фланца на шпинделе.
- Очистите внутренний и наружный фланцы от загрязнений, после чего установите новый шлифовальный круг.
- Нажмите кнопку фиксации шпинделя (2), и вращая ключ (10) по часовой стрелке плотно затяните наружный фланец.
- Шлифовальный круг должен быть плотно зафиксирован на шпинделе.

ПРИМЕНЕНИЕ

Углошлифовальная машина предназначена для следующих видов работ:

- удаление заусенцев и грата на кромках заготовок и изделий из черных и цветных металлов
- выполнение фасок на металлических заготовках перед сваркой, шлифовка торцов свариваемых заготовок и зачистка сварных швов
- при использовании специальных алмазных дисков допускается резка тонкой керамической плитки (шлифовка и резка камня и кирпича запрещена, машина не обладает достаточной степенью защиты от пыли)
- резка тонкостенных металлических труб и профилей, тонкого металлического листа

ВНИМАНИЕ! Во время работы вентиляционные отверстия на корпусе должны быть полностью открыты для обеспечения охлаждения двигателя.

Включение изделия (Рис.4)

- Для включения изделия сдвиньте клавишу выключателя (4) вперед.
- При продолжительной работе клавишу можно зафиксировать во включенном положении нажав на её переднюю часть до щелчка.
- Для выключения изделия нажмите на заднюю часть клавиши чтобы снять её с фиксатора и сдвиньте клавишу на себя. Изделие выключится.

Выбор скорости вращения (SH125SF)

Вращая регулятор (11) можно изменять скорость вращения диска в пределах от 3000 об/мин. до 11000 об/мин. Выбор скорости зависит от вида выполняемых работ.

СОВЕТЫ ПО ИСПОЛЬЗОВАНИЮ

- Перед началом работы оденьте защитные очки и проверьте правильность установки шлифовального круга и надежность крепления защитного кожуха
- Крепко удерживайте изделие при работе за переднюю и заднюю рукоятки
- Включите изделие и плавно опустите его на заготовку



- При шлифовке и зачистке угол наклона машины по отношению к обрабатываемой поверхности может меняться от 15° до 30° (для грубой обработки ближе к 30°, при чистовой ближе к 15°).



- Перемещайте машину при работе плавно вперед и назад без рывков и ударов.

7. ОБСЛУЖИВАНИЕ

- Не прикладывайте к изделию при работе чрезмерных усилий, нажим должен быть легким и равномерным.
- При шлифовании металла образуются искры, не допускайте нахождения в рабочей зоне людей и горючих материалов.
- Прежде чем отключить машину, поднимите шлифовальный круг с обрабатываемой поверхности.



ВНИМАНИЕ!

Категорически запрещается устанавливать на угловую шлифовальную машину пыльные диски по дереву.
Категорически запрещается использование изделия со снятым защитным кожухом.

Нарушение данных правил может привести к серьезным травмам.

ОБСЛУЖИВАНИЕ

ВНИМАНИЕ! Обслуживание изделия неквалифицированными лицами может привести к нарушению норм электробезопасности изделия. Все работы по ремонту и замене узлов должны проводиться в авторизованном сервисном центре.

Всегда отключайте изделие от сети перед его осмотром. Проверяйте затяжку винтов крепления копусных деталей, и при необходимости подтягивайте их. Периодически прочищайте изделие струей сжатого воздуха для удаления из него пыли и стружки. Следите за чистотой вентиляционных окон на корпусе редуктора и корпусе двигателя.

Не применяйте для чистки корпуса бензин или растворители, они могут повредить корпусные детали.

Замена угольных щеток

- Замена угольных щеток в данной модели производится с частичной разборкой инструмента в авторизованном сервисном центре.

ВНИМАНИЕ! Во всех нижеперечисленных случаях немедленно прекратите работу, и обратитесь в сервисный центр:

- Скорость вращения падает до ненормальной величины
- При работе слышны удары или повышенный шум
- Корпус двигателя перегревается
- Сильное искрение двигателя

Комплектация: УШМ, дополнительная передняя рукоятка, защитный кожух, ключ, инструкция, упаковка

Производитель оставляет за собой право изменять технические параметры изделия и его комплектацию без предварительного уведомления.

8. ТЕХНИЧЕСКИЕ ДАННЫЕ

9. ДЕКЛАРАЦИИ СООТВЕТСТВИЯ

ТЕХНИЧЕСКИЕ ДАННЫЕ

Модель	Напряжение (В)	Потребляемая мощность (Вт)	Обороты без нагрузки (Мин ⁻¹)	Диаметр диска (мм)	Вес (кг)	Плавный пуск	Стабилизатор оборотов	Регулировка скорости
SH115L	230-240V ~50Hz	800	11000	Ø115	1,75	-	-	-
SH125L		950	11000	Ø125	2	-	-	-
SH125SF		1100	3000-11000	Ø125	2	-	-	+

Информация о шуме и вибрациях (EN 60745):

Уровень звукового давления $L_{pA} = 86$ дБ(А), Неопределенность $K_{pA} = 3.0$ дБ
Уровень звуковой мощности $L_{wA} = 97$ дБ(А), Неопределенность $K_{wA} = 3.0$ дБ

Излучение вибраций (в соответствии с т. 6.2.7 EN 60745-1):

Величина вибрации $a_{hAG} = 5,54$ м/с², Неопределенность $K = 1.5$ м/с²

ДЕКЛАРАЦИИ СООТВЕТСТВИЯ

STATUS ITALIA S.R.L. заявляет, что изделия торговой марки STATUS: Машины углошлифовальные SH115L/125L/125SF изготовлены в соответствии с следующими директивами ЕС: 2006/42/ЕС

А так же соответствует нижеперечисленным стандартам:

EN 60745-1:2009 + A11:2010,

EN 60745-2-3:2011+A2:2013+A11:2014+A12:2014+A13:2015

Техническая документация хранится у производителя:

STATUS ITALIA S.R.L., via Aldo Moro, 14/A, 36060 - Pianezze (VI), ITALY

Карон Джиаинто
Директор
STATUS ITALIA S.R.L.

Изделие соответствует требованиям следующих технических регламентов Таможенного Союза: TP TC 004/2011, TP TC 010/2011, TP TC 020/2011.

Информация о сертификате находится на сайте www.status-tools.com.

Изготовитель: «СТАТУС ИТАЛИЯ С.р.л.» Виа Альдо Моро, 14/А, 36060 Пянецце, Италия. Сделано в КНР.

Представитель в России:

ООО «ИНСТАТУС» 105005, г. Москва, ул. Бауманская, д.7